

# classified advertising

## -----MUSTANG PARTS AT DISCOUNT-----

Genuine fresh new Ford stock. Prices shown have had 20% deducted from list prices. We pay freight. Add \$2.50 per order for packing. BUMPERS 65-70 front & rear \$46.32 ea. SHEET METAL, 65-68 front fenders \$78.96 ea. 69-70 front fenders \$80.16 ea. 65-66 rear quarters (F63) \$101.12 ea. (F65, F76) \$86.32 ea. 1967 rear quarters (F63) \$101.12 ea. (F65) \$86.32 ea. 1965-70 panel, inner wheelhouse \$25.12 ea. 1965-68 panel, outer wheelhouse \$25.12 ea. RUBBER DASH PADS, 1965 Black, blue, red \$69.56 ea. 1966 Black, blue, burgundy \$69.56 ea. 69-70 Black only \$100.00 ea. ALL MUSTANG PARTS THAT WE CAN SECURE FROM FORD DISCOUNTED 20% FROM LIST PRICE, PLUS \$2.50 PER ORDER PACKING CHARGE, PREPAID. SEND US YOUR LIST WITH COMPLETE PART NUMBERS FOR QUOTE, SEND S.A.S.E. OR NO ANSWER, WE CAN SUPPLY PART BOOKS IF YOU DON'T HAVE A SET. WE SUGGEST YOU BUY YOUR MUSTANG PART REQUIREMENTS WHILE YOU CAN STILL GET THEM. BIRD Sheet metal, we can supply at 20% off list price. We will supply any parts that FORD has in stock 1948 through 1977 20% off list price, HAVE TO HAVE COMPLETE PART NUMBERS WITH S.A.S.E. FOR QUOTE.....

### "A FORD DEALER COLLECTOR"

BOB COOK, P.O. BOX # 104, HAZEL, KY. 42049

Trade-Trade: '73 Mustang convertible 302, 4 cyl V-8, Auto, A/C, P.S., P.B. Red w/new white top. Rust free. 64,000 miles. Beautiful parade car. Shrine car. Looking for mint or excellent '65 or '66 G.T. 289 coupe or convertible. Pictures and conditions of trade and further info: Larry Dobbs, 4532 Remington Rd., Lakeland, Fl. 33803 (813) 644-2300 evenings before 11 p.m. EST.

For Sale: Now In Stock: 65-66 "Pony" floor mats. Black, white, blue, green, brown, also white and burgundy for Cougar. Will ship prepaid @ \$45/set of four. Jim Bridges, 321 Melrose Circle, Lenoir, N. C. 28645 (704) 728-6021.

For Sale: 65 6,000 RPM Rally-Pac in good working condition \$125 + \$5 shipping. Larry Dobbs, 4532 Remington Rd., Lakeland, Fl. 33803.

For Sale: 200 cu. in. 6 air cleaner decals, \$1.00 each. Jim Osborn's, 3229 Pheasant Drive, Marietta, Ga. 30034.

For Sale: (1) original 65 all chrome C.T. wheel in good condition w/new center cap \$40 + \$5 shipping. Larry Dobs, 4532 Remington Rd., Lakeland, Fl. 33803

For Sale: 1965 Mustang Convertible, 289, Auto A/C, P.S., console, wire spinners, impeccable original misty green exterior with green and white interior. Everthing is mint concours condition, \$4000 David Zaun, 21 Kenwood Dr., Dunedin, Fla. (813) 733-3224

For Sale: 1967/68 Wire wheel covers w/red center in excellent condition \$80 or will trade for pair of pony interior door panels (no cracks or tears) or trade for 65 or 66 Rally-Pac or Larry Dobbs, 4532 Remington Rd., Lakeland, Fl. 33803 Phone (813) 644-2300

For Sale: Used 66 Mustang Fastback Hood \$25.00 Folding Rear seat assy. Grille, Door Panels, Inst, cluster, trim pieces, glove box door. Allen Bruehahn, Vandebilt Ave. So. Norwalk, Conn. 06854 853-7893

Wanted: Blue boot cover and left and right kick panels for a 1966 Mustang convertible. Gary Jones, Box 887, Clayton, Ga. 30525 (404) 782-4016 or (404) 754-9431

November Special: NOS original Mustang parts Save on prices and shipping. 65-70 bumpers (4) limited qty. original "pony" mats black, white, blue, green, brown, 45/set of four; 65-66 trunk mats, 21; 65-66 GT exhaust trumpets, 50; 66 gas caps, 25; 65-66 battery box w/hold-down 8; 65 grille, 20; 66 grille, 30; 65-66 black steering wheel, 40; 67-73 door edge guard, 15; 65-6665-66 key blanks, 5/pr; 65-66 inside door lock grommets, 1/pr; chrome plate behind 65-66 deluxe inside door handles, 5/pr.; 65-67 antennas, 26; 65-66 speedometer housings, black or woodgrain, 16. I will ship above by UPS prepaid. Much more--emblems, ornaments, decal etc. Jim Bridges, 321 Melrose Circle, Lenoir, N.C. 28645 (704) 728-6021.

For Sale: 1965/66 Factory air conditioning system, complete w/compressor, condensor, evaporator, pressure hoses, under dash unit and all attaching parts. \$150.00. George Leach, 2116 S. Hesperides, Tampa, Fl. (813) 254-6871.

Wanted: '65, '66 or '67 Mustang convertible. 3 or 4 speed. At least running. Will take automatic if cheap. Prefer 6 cylinder. Steven Dix, Box 905, Route 6, Manchester, Tn. 37355

For Sale: Chrome for full console, less ash tray and compartment door (has automatic trans. plate) excellent condition \$20 + \$3 shipping. Larry Dobbs, 4532 Remington Rd., Lakeland, Fl. 33803

# classified advertising

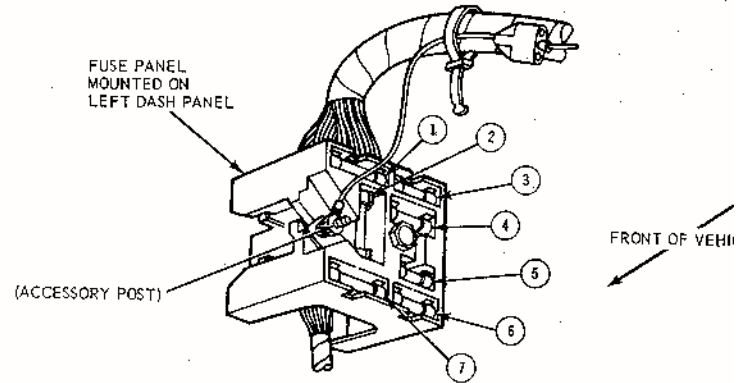
For Sale: 68-69 NOS chrome rally factory mag wheels w/new trim rings and GT caps. Priced low at \$250/per set complete. Also 4 nice used wheels as above with two trim rings and caps, \$125/set. Don't wait until these hit \$100 each as the 65-66 wheels have done. Please add \$15/set for UPS. Jim Bridges, 321 Melrose Cir., Lenoir, N.C. 28645 (704) 728-6021.

For Sale: 2-13" wheel covers for 65 Mustang with 3-prong spinner in good condition \$12 ea. 14" wheel cover for 65 Mustang w/3-prong spinner \$15 - add \$3 shipping charge. Larry Dobbs 4532 Remington Rd., Lakeland, Fl. 33803

For Sale: NOS '67 woodgrain steering wheel and NOS right side mirror for 1966 Mustang. Larry Hughes, 1522 E. Washington St., Washington, Iowa 52353

For Sale: 65/66 Beige "Pony" interior set of door panels. These are torn around hand grip area and need repair. Otherwise O.K. w/good chrome trim. \$40/pr + \$5 shipping. Larry Dobbs, 4532 Remington Rd., Lakeland, Fl. 33803

For Sale: 65-66 chrome and black finish panel or short, air cond. console, \$25; original pony key blanks, \$5/pr.; regular tissue dispenser, \$15; junior-size, 10. Outside door handles, 15/pr; 65-67 antennas, 25; new 65-66 AM radio kit complete, \$75, radio only, \$50. Jim Bridges, 321 Melrose Cir., Lenoir, N.C. 28645 (704) 728-6021.



- ① (20 AMP.) TURN SIGNALS, BACK-UP LIGHTS, WINDSHIELD WASHER, RADIO FEED AND PRNDL LIGHT(AUTO. TRANS.)
- ② (20 AMP.) (ACCESSORY FEED) SEAT BELT WARNING (RPO), SWING TILT COLUMN (RPO) SAFETY CONVENIENCE CIRCUIT-DOOR AJAR, LOW FUEL, POWER WINDOW SAFETY RELAY FEED
- ③ (14 AMP.) HEATER & DEFROSTER (30 AMP.) AIR CONDITIONER NOTE: (30 AMP. REQUIRED FOR AIR/COND.)
- ④ (SPARE)
- ⑤ (4 AMP.) INSTRUMENT & CLUSTER LIGHTS, RADIO, HEATER CONTROLS, CLOCK, ASH TRAY LIGHT
- ⑥ (14 AMP.) COURTESY, INSTRUMENT, DOOR, DOME, MAP, GLOVE BOX, "C" PILLAR, LUGGAGE COMPARTMENT LIGHT, CLOCK FEED, CIGAR LIGHTER
- ⑦ (20 AMP.) EMERGENCY WARNING

## FUSE PANEL-MUSTANG 1969/70

\*\*\*\*\*

### MUSTANG TIMES BACK ISSUES

AUGUST 1977	\$1.00
SEPTEMBER 1977	1.00
OCTOBER 1977	1.00

\*\*\*\*\*

# SECOND ANNUAL *All Ford Swap Meet*

## INDOOR FLEA MARKET

**RESTRICTED TO PARTS & CARS MADE BY FORD**

# January 13 and 14, 1978

# Nashville, Georgia

Sponsored By Ford, Inc. Nashville, Georgia 31639

ENDORSED BY NASHVILLE CHAMBER OF COMMERCE

FORD - MERCURY