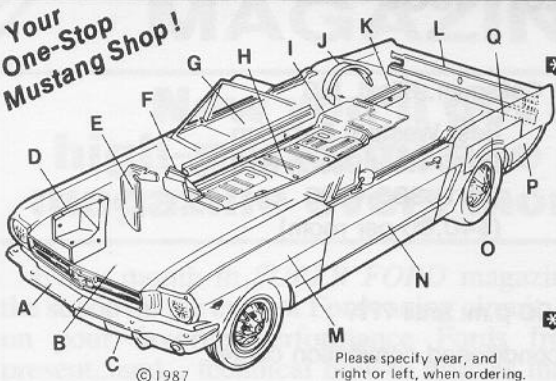




MUSTANGS unlimited inc.

185 ADAMS STREET, MANCHESTER, CT 06040
To Order: 1-800-243-7278

Your One-Stop Mustang Shop!



© 1987

Please specify year, and right or left, when ordering.

FLOOR PAN SPECIAL

Incl. pr. of A-107 fronts and pr. of A-108-E extended rears. **\$175**

COMPLETE FLOOR SPECIAL

Incl. pr. of A-107 fronts, pr. of A-108-E extended rears, plus pr. of A-126 fire wall patch. **\$239**

CONVERTIBLE FLOOR PAN SPECIAL

Incl. pr. of A-107 fronts, pr. of A-108-E extended rears, plus pr. of M-112 inner rocker panels and pr. of M-114 torque boxes. **\$375**

- A.) Front Bumper, 65/70: -17757-R..... \$77.95 ea.
Rear Bumper (not shown), 65/70: -17906-R..... \$77.95 ea.
- * B.) Hood Assembly: C5ZZ-16612-R..... \$159.95
- C.) Valance, 65/68: 17A939-R..... \$49.95 ea.
- D.) Battery Apron, 65/66, 67/68..... \$39.95 ea.
69/70: C9ZZ-16054..... \$31.95 ea.
- E.) Splash Shields, 65/68: -16102..... \$65.00 set
- F.) Torque Box, 65/70: A-114 (conv.), A-117 (hardtop)..... \$59.00 ea.
67/68: C7ZZ-6540324-B..... \$64.95 ea.
- G.) Inner Rocker Panel, 65/70: A-112..... \$59.00 ea.
- H.) Front Floors, 65/70: A-107..... \$95.00 pr.
- I.) Rear Floors, 65/70: A-108-E..... \$95.00 pr.
- J.) Outer Wheel House, 65/66: A-113..... \$110.00 pr.
- K.) Rear Shackle Rail, 65/70: A-103..... \$49.00 ea.
- L.) Tail Light Panels, 65/66: C5ZZ-6540324-A..... \$79.95 ea.
67/68: C7ZZ-6540324-B..... \$64.95 ea.
- * M.) Front Fender: C5ZZ-16005..... \$129.00 ea.
- * N.) Outer Door Skins, 65/66..... \$99.00 ea.
- O.) Wheel Flair Patch, 67/68: M-201..... \$33.00 ea.
69/70: M-301..... \$43.00 ea.
- P.) Lower Rear Qtr. Patch, 65/66: M-100..... \$30.00 ea.
67/68: M-200..... \$33.00 ea.
69/70: M-300..... \$36.50 ea.
71/73: M-400..... \$43.00 ea.
- Inner Lower Rear Qtr. Patch (not shown): A-109..... \$19.00 ea.
- * Q.) Quarter Panel Skin, 65/68 (repro)..... \$79.95 ea.
- * NEW! Full Quarter Panel, 65/66: C5ZZ-6527846-R (hardtop)..... \$169.95 ea.
C5ZZ-7827846-R (conv.)..... \$169.95 ea.



These items will be shipped freight collect as they are too large to be shipped U.P.S.

ORDER YOURS TODAY!
MUSTANGS unlimited
1986/87 Catalog



The Catalog That PAYS FOR ITSELF ...
And Then Some!
The BIGGEST and BEST Mustang Parts Catalog ANYWHERE!
★ 136 Pages!
★ 477 Photos!
★ \$5.00 DISCOUNT COUPON
In Every Catalog!
Only \$3.00

COUGAR CATALOG \$2.00

351 CLEVELAND VALVE COVER
With plaque. Black wrinkle finish **\$59.95** pr.
(115-5009); Polished (115-5010).

HI-PO AIR CLEANER
With decal. Specify engine size. C5ZZ-9600-R **\$19.95**

EXPORT BRACE
C5ZZ-16A052-E **\$39.95**
Also Available in Chrome. C5ZZ-16A052-EC..... **\$49.95**

BATTERY BOX KIT
Exact factory reproduction for 65/73. 65-66: **\$14.00**
Includes battery box, hold down and attaching hardware. 67-70: **\$25.00**
71-73: **\$14.00**

MUSTANG WOOD STEERING WHEEL \$89.95
Complete with Mounting kit. Specify year.

GT350 HOOD SCOOPS
Bond-on version. No. 19011. **\$32.00**
Bolt-on version. No. 19012. **\$39.95**

ORDER ALL YOUR UPHOLSTERY AND CARPETING FROM MUSTANGS UNLIMITED FOR A PERFECT RESTORATION.

65/68 STANDARD DOOR PANELS **\$69.95** pr.
Specify year, body style and color.

'65/'68 STANDARD UPHOLSTERY
Specify year, body style and color.
Complete Set..... **\$159.95**
One pair Buckets..... **\$114.00** pr.
Pony Upholstery Complete Set..... **\$219.95**

CARPET
Specify year, body style and color..... **\$84.95**

CARPET UNDERLAYMENT
65/70 All Models **\$34.95**

DOOR SILLS
1965-68. Please specify body style
1965-68..... **\$32.00** pr.
1971-73..... **\$39.95** pr.

MOTORSPORT SVO CATALOG \$4.95
COVERCRAFT CAR COVERS
industries inc.
Green Drill Tan Flannel Technolon
Specify Year and Body Style.
\$69.95 **\$89.95** **\$99.00**

HEATER PLENUM
Made of high temperature plastic to last.
65/68..... C5ZZ-18471-A..... **\$34.95**

PERFECT FIT RADIO
Made by Craig! AM/FM Stereo cassette, 14 watts. MS-MC-18 fits 65/66; MS-LM-18 fits 67/73. Other styles available. **\$149.95**

RADIO ANTENNA KIT
For Mustangs, Shelby: Quality repro w/original round base, everything needed for installation! **\$19.95**

65/68 COWL VENT REPAIR KIT
With Instructions. **\$29.95**
C5ZZ-18501-R

TRI-Y-HEADERS High quality reproduction headers add to the performance of any small block engine. SIMS-9430-R **\$119.95**

'65 to '73 FRONT SPOILERS
Specify year. Reg. \$45.00 **\$39.95**

FRONT COIL SPRINGS **\$69.95** pr.
Specify year and engine size.

REAR LEAF SPRINGS **\$150.00** pr.
Specify year and engine size.

REAR SHACKLES **\$29.95** pr.
Model No. FS-769.

GREAT PRICES • HUGE INVENTORY • FAST DELIVERY

ORDER TOLL-FREE 1-800-243-7278

MasterCard, VISA, and C.O.D. Welcome. Inside Connecticut, call 647-1965.

On all orders, add 10% for shipping, minimum \$2.00.

FREE U.P.S. Shipping
on any order over \$200.00.



MUSTANGS unlimited,

185 ADAMS STREET
MANCHESTER, CT 06040

inc.