

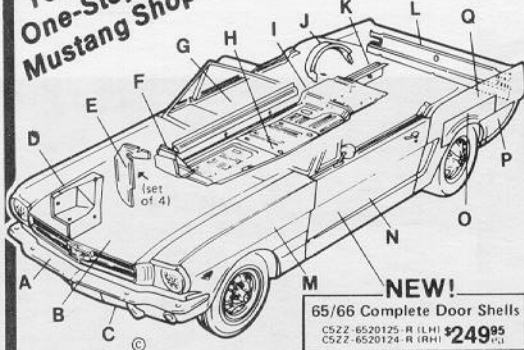


MUSTANGS unlimited inc.

185 ADAMS STREET,
MANCHESTER, CT 06040

TO ORDER, CALL TOLL-FREE
1-800-243-7278

Your
One-Stop
Mustang Shop!



- B. Hood Assembly: 65/66, C5ZZ-16612-R \$149.95 ea.
67/68, C7ZZ-16612-R \$169.95 ea.
- C. Valances: 65/68 Front, -17A939-R \$44.95 ea.
69/70 Front, \$74.95 ea.
65/68 Rear* \$39.95 ea.
69/70 Rear* \$44.95 ea.
- D. Fender Aprons: Front R/H Front L/H Rear L or R
65/66 \$27.95 ea. \$27.95 ea. \$29.95 ea.
67/68 \$39.95 ea. \$27.95 ea. \$29.95 ea.
69/73 \$31.95 ea. \$27.95 ea. \$49.00 ea.
- E. Splash Shields (w/rubber): 65/68, -16102 \$65.00 set
F. Torque Box: 65/70, A-114 (convertible) \$49.95 ea.
65/70, A-117 (hardtop) \$49.95 ea.
- G. Inner Rocker Panel: 65/70, A-112 \$49.95 ea.
- H. and I.—Floor Pans—see listing at left.
- J. Outer Wheel House: 65/66, A-113 \$49.95 ea.
67/70, specify year. \$54.95 ea.
* Inner Wheel House: 65/70 \$54.95 ea.
- K. Rear Shackle Rail: 65/70, A-113-A \$36.00 ea.
- L. Tail Light Panels: 65/66, C5ZZ-6540324-AR \$64.95 ea.
67/68, C7ZZ-6540324-BR \$59.95 ea.
- M. Front Fenders: 65/66 \$129.00 ea.
67/68 \$89.95 ea.
- N. Outer Door Skins: 65/66 or 67/68 \$36.00 ea.
- O. Wheel Flair Patch: 65/66, M-101 \$28.00 ea.
67/68, M-201 \$34.00 ea.
69/70, M-301 \$23.50 ea.
- P. Lower Rear Qtr. Patch: 65/66, M-100 \$30.00 ea.
67/68, M-200 \$34.00 ea.
69/70, M-300 \$39.00 ea.
71/73, M-400 \$11.95 ea.
- * Inner Lower Rear Qtr. Patch: 65/70, A-109 \$18.00 ea.
71/73, A-409 \$79.95 ea.
- Q. Quarter Panel Skin (repro): 65/68 \$99.95 ea.
69/70 Fastbk. Qtr.: Skin, C9ZZ-6327840/1-AR \$179.95 ea.
H.D. C9ZZ-6327840/1-BR \$139.95 ea.
- * NEW! Full Qtr. Panel: 65/66: C5ZZ-6527846-R (hardtop) OR C5ZZ-7627846-R (convertible) \$250.00 pr.
65/70, L/H, C9ZZ6511219-A \$32.95 ea.
- * not shown in illustration \$32.95 ea.

LOOK FOR US IN:

TAUNTON, MA—
June 4 & 5.

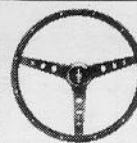
SANTA ROSA, CA—
July 2.

CARLISLE, PA—
July 22, 23 & 24.

Call in your order— Pick it up at the show— We pay for the shipping— YOU SAVE!

GET YOUR
MUSTANGS unlimited, inc.
Catalog

\$5.00 COUPON INSIDE!
Only \$3.00



MUSTANG WOOD STEERING WHEEL
Complete w/mounting kit. Specify year.
SPECIAL \$79.95



LICENSE PLATE FRAMES
1964 1/2 to 1973. Specify year. \$6.95 pr

MIRRORS

65/66 Standard C3RZ-17696-R \$32.95
65/66 Remote C5ZZ-17696-THR \$69.95
67/68 Remote C7AZ-17696-E \$59.95

TRI-Y-HEADERS

High quality reproduction headers add to the performance of any small block engine. S1MS-9430-R \$109.95

COMPLETE SINGLE EXHAUST

65/70. All single exhaust. Specify year and engine size. \$139.95

'65 to '73 FRONT SPOILERS

Specify year. \$39.95
69/73 Plastic, like original! \$59.95

HEAVY DUTY SHOCKS
Set of 4. \$49.95

REAR LEAF SPRINGS
Specify year and engine size. \$150.00 pr
REAR SHACKLE KITS \$29.95 pr.
Model No. FS-769.

* These items must be shipped Freight Collect. Please specify year, and right or left, when ordering.

FLOOR PAN SPECIAL
Incl. pr. of A-107 fronts and pr. of A-108-E extended rears. \$169.95

COMPLETE FLOOR SPECIAL
Incl. pr. of A-107 fronts, pr. of A-108-E extended rears, plus pr. of A-126 fire wall patch \$229.95

CONVERTIBLE FLOOR SPECIAL
Incl. pr. of A-107 fronts, pr. of A-108-E extended rears, pr. of M-112 inner rocker panels and pr. of M-114 torque boxes. \$349.95

A.) BUMPERS! Best quality!
Specify year, front or rear. 65/70 \$77.95 ea.

WE WELCOME DEALER INQUIRIES!

BUMPER GUARDS

65/66, 67/68, front and rear. Set of 4. \$65.00 set



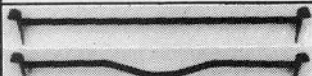
HI-PO AIR CLEANER
W/free decal. Specify engine size. \$19.95
C5ZZ-9600-R



EXPORT BRACE
C5ZZ-16A052-ER \$39.95



Also Available in Chrome. C5ZZ-16A052-ERC \$49.95



MONTE CARLO BARS
BLACK CHROME
Straight \$18.00 \$29.95
Curved \$27.00 \$39.95



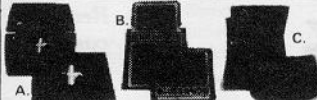
BATTERY BOX KIT
Exact factory reproduction for 65/73. Includes battery box, hold-down and attaching hardware. Specify year. 10732-K

65/ \$14.00 67/ \$25.00 71/ \$14.00
66/ 70/ \$25.00 73/ \$14.00

FREE SALE CATALOG
with every order!

DASH PADS

65/66 \$139.95
67/68 \$174.00
69/70 \$239.00
65/66 Arm Rest Pads \$7.50 ea.
65/66 Chrome Arm Rest Bases \$7.50 ea.



FLOOR MATS

A. Tri-Color Running Horse Blk. w/running horse on red, wht. & blue striped circle. Set of 4. \$24.95 set
B. Custom Two-Tone Carpeted Mats Available in black, blue, red or tan. Set of 4. \$34.95 set
C. Original Pony Mats Set of 4. \$39.95 set

DOOR PANELS

Specify year and color.

65/68 Standard 69/73 Standard 65/66 Pony
\$59.95 pr. \$99.95 pr. \$134.95 pr.

'65/'68 STANDARD UPHOLSTERY

Specify year, body style and color. \$99.95 pr.
Buckets \$99.95 pr.
Complete set \$149.95
Pony upholstery (complete set) \$219.95

MOLDED CARPET

Specify year, body style & color. \$84.95

CARPET UNDERLAYMENT
65/73 \$34.95
All Models

DOOR SILL PLATES

Please specify year and body style.
65-68 69-70 71-73
\$29.95 pr. \$39.95 pr. \$39.95 pr.

TAIL LIGHT BEZELS

65/66 C5ZZ-13489-A \$30.00 pr.
67/68 C8ZZ-13489-A \$59.95 set

TAIL LIGHT LENS

65/66 C5ZZ-13450-AR \$9.50 ea.

COVERCRAFT CAR COVERS
industries inc.



Green Drill Tan Flannel Technalon
\$72.00 \$95.00 \$99.95
Specify Year and Body Style.



HEATER PLENUM

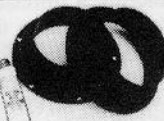
65/68 C5ZZ-18471-A \$24.95
NEW! BEST QUALITY!
65/68 C5ZZ-18471-BR \$39.95

PERFECT FIT RADIO

AM/FM stereo cassette, 14 watts.
MS-18, fits 65/73 \$149.95
MS-78, digital Reg. \$259.95 \$219.95
Other styles available

RADIO ANTENNA KIT

For Mustangs, Shelby: Quality repro w/orig. round base, everything needed for installation! 65/68, C5ZZ-18813-R. \$16.95



65/68 COWL VENT REPAIR KIT
With Instructions. C5ZZ-18501-R \$26.95

DOOR HANDLE ASSEMBLIES

\$35.00 pr.
65/66, 69/70- C3XB-6422404/5-B
67/68- C7ZB-6522404/5-B

GREAT PRICES • HUGE INVENTORY • FAST DELIVERY

VISA MasterCard DISCOVER U.P.S. C.O.D.

Information: (203) 647-1965
FAX: (203) 649-1260

DEALER INQUIRIES WELCOME.

On all orders, add 10% for shipping, minimum \$2.00.
FREE U.P.S. Shipping on any order over \$200.00.