

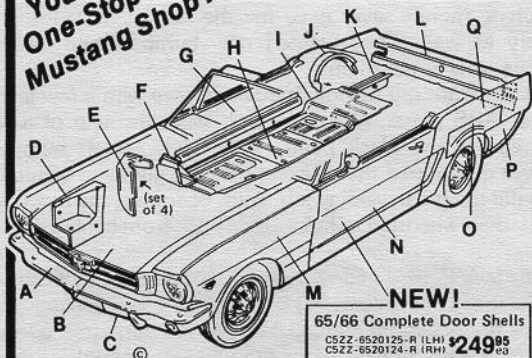


MUSTANGS unlimited inc.

185 ADAMS STREET,
MANCHESTER, CT 06040

TO ORDER, CALL TOLL-FREE
1-800-243-7278

Your
One-Stop
Mustang Shop!



NEW!
65/66 Complete Door Shells
C5Z2-6520125-R (LH) \$249.95 ea.
C5Z2-6520124-R (RH) \$249.95 ea.

* These items must be shipped Freight Collect. Please specify year, and right or left, when ordering.

FLOOR PAN SPECIAL
Incl. pr. of A-107 fronts and pr. of A-108-E extended rears. **\$169.95**

COMPLETE FLOOR SPECIAL
Incl. pr. of A-107 fronts, pr. of A-108-E extended rears, plus pr. of A-126 fire wall patch **\$229.95**

CONVERTIBLE FLOOR SPECIAL
Incl. pr. of A-107 fronts, pr. of A-108-E extended rears, pr. of M-112 inner rocker panels and pr. of M-114 torque boxes. **\$349.95**

A.) BUMPERS! Best quality!
Specify year, front or rear. 65/70..... **\$77.95 ea.**

- B. Hood Assembly: 65/66, C5Z2-16612-R \$149.95 ea.
67/68, C7ZZ-16612-R \$169.95 ea.
- C. Valances: 65/68 Front, -17A939-R \$44.95 ea.
69/70 Front, \$74.95 ea.
65/68 Rear \$39.95 ea.
69/70 Rear \$44.95 ea.
- D. Fender Aprons: Front R/H \$27.95 ea.
65/66, \$27.95 ea.
67/68, \$39.95 ea.
69/70, \$31.95 ea.
Front L/H \$29.95 ea.
65/66, \$27.95 ea.
67/68, \$27.95 ea.
69/70, \$27.95 ea.
- E. Splash Shields (w/rubber): 65/68, -16102 \$65.00 set
- F. Torque Box: 65/70, A-114 (convertible) \$49.95 ea.
65/70, A-117 (hardtop) \$49.95 ea.
- G. Inner Rocker Panel: 65/70, A-112 \$49.95 ea.
- H. and I.—Floor Pans—see listing at left.
- J. Outer Wheel House: 65/66, A-113 \$54.95 ea.
67/70, specify year \$54.95 ea.
- * Inner Wheel House: 65/70 \$54.95 ea.
- K. Rear Shackle Rail: 65/70, A-103-A \$36.00 ea.
- L. Tail Light Panels: 65/66, C5Z2-6540324-AR \$64.95 ea.
67/68, C7ZZ-6540324-BR \$59.95 ea.
- M. Front Fenders: 65/66 \$119.00 ea.
67/70 \$129.00 ea.
- N. Outer Door Skins: 65/66 or 67/68 \$89.95 ea.
- O. Wheel Flair Patch: 65/66, M-101 \$36.00 ea.
67/68, M-201 \$28.00 ea.
69/70, M-301 \$34.00 ea.
- P. Lower Rear Qtr. Patch: 65/66, M-100 \$23.50 ea.
67/68, M-200 \$30.00 ea.
69/70, M-300 \$34.00 ea.
71/73, M-400 \$39.00 ea.
- * Inner Lower Rear Qtr. Patch: 65/70, A-109 \$11.95 ea.
71/73, A-409 \$18.00 ea.
- Q. Quarter Panel Skin (repro): 65/68 \$79.95 ea.
69/70 Fastbk. Qtr.: Skin, C9ZZ-6327840/1-AR \$95.95 ea.
H.D. C9ZZ-6327840/1-BR \$179.95 ea.
- * NEW! Full Qtr. Panel, 65/66: C5Z2-6527846-R (hardtop) OR C5Z2-7627846-R (convertible) \$139.95 ea.
\$250.00 pr.
- * Trunk Floors: 65/70, R/H, C9ZZ-6511218-A \$32.95 ea.
65/70, L/H, C9ZZ6511219-A \$32.95 ea.
- * not shown in illustration

LOOK FOR US IN:

TAUNTON, MA—
June 4 & 5.

SANTA ROSA, CA—
July 2.

CARLISLE, PA—
July 22, 23 & 24.

Call in your order— Pick it up at the show— We pay for the shipping— YOU SAVE!

GET YOUR
MUSTANGS unlimited inc.
Catalog

\$5.00 COUPON INSIDE!
Only \$3.00



MUSTANG WOOD STEERING WHEEL

Complete w/mounting kit. Specify year. **SPECIAL \$79.95**



LICENSE PLATE FRAMES

1964 to 1973. Specify year. **\$6.95 pr.**

MIRRORS

65/66 Standard C3RZ-17696-R **\$32.95**
65/66 Remote C5Z2-17696-THR **\$69.95**
67/68 Remote C7AZ-17696-E **\$59.95**

TRI-Y-HEADERS

High quality reproduction headers add to the performance of any small block engine. S1MS-9430-R **\$109.95**

COMPLETE SINGLE EXHAUST

65/70. All single exhaust. Specify year and engine size. **\$139.95**

'65 to '73 FRONT SPOILERS

Specify year. **\$39.95**
69/73 Plastic, like original! **\$59.95**

HEAVY DUTY SHOCKS

Set of 4. **\$49.95**

REAR LEAF SPRINGS

Specify year and engine size. **\$150.00 pr.**
REAR SHACKLE KITS **\$29.95 pr.**
Model No. FS-769.

WE WELCOME DEALER INQUIRIES!

COVERCRAFT CAR COVERS

Green Drill Tan Flannel Technalon
\$72.00 \$95.00 \$99.95
Specify Year and Body Style.

HEATER PLENUM

65/68.....C5ZZ-18471-A..... **\$24.95**
NEW! BEST QUALITY!
65/68.....C5ZZ-18471-BR..... **\$39.95**

PERFECT FIT RADIO

AM/FM stereo cassette, 14 watts.
MS-18, fits 65/73 **\$149.95**
MS-78, digital Reg. \$259.95 **\$219.95**
Other styles available

RADIO ANTENNA KIT

For Mustangs, Shelby: Quality repro w/orig. round base, everything needed for installation! 65/68, C5ZZ-18813-R. **\$16.95**

COWL VENT REPAIR KIT

With Instructions. C5ZZ-18501-R **\$26.95**

DOOR HANDLE ASSEMBLIES

65/66, 69/70- C3XB-6422404/5-B **\$29.95**
67/68- C7ZB-6522404/5-B

BUMPER GUARDS
65/66, 67/68, front and rear. Set of 4..... **\$65.00 set**

HI-PO AIR CLEANER
W/free decal. Specify engine size. C5ZZ-9600-R **\$19.95**

EXPORT BRACE
C5ZZ-16A052-ER **\$39.95**
Also Available in Chrome. C5ZZ-16A052-ERC **\$49.95**

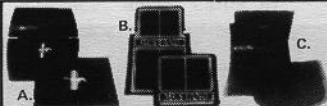
MONTE CARLO BARS
BLACK CHROME
Straight..... **\$18.00 \$29.95**
Curved..... **\$27.00 \$39.95**

BATTERY BOX KIT
Exact factory reproduction for 65/73. Includes battery box, hold-down and attaching hardware. Specify year. 10732-K
65/ **\$14.00** 67/ **\$25.00** 71/ **\$14.00**
66/ **\$14.00** 70/ **\$25.00** 73/ **\$14.00**

FREE SALE CATALOG with every order!

DASH PADS

65/66 **\$139.95**
67/68 **\$174.00**
69/70 **\$239.00**
65/66 Arm Rest Pads **\$7.50 ea.**
65/66 Chrome Arm Rest Bases **\$7.50 ea.**



FLOOR MATS
A. Tri-Color Running Horse Blk. w/running horse on red, wht. & blue striped circle. Set of 4. **\$24.95 set**
B. Custom Two-Tone Carpeted Mats Available in black, blue, red or tan. Set of 4. **\$34.95 set**
C. Original Pony Mats Set of 4. **\$39.95 set**

DOOR PANELS
Specify year and color.
65/68 Standard 69/73 Standard 65/66 Pony
\$59.95 pr. \$99.95 pr. \$134.95 pr.

'65/'68 STANDARD UPHOLSTERY

Specify year, body style and color.
Buckets..... **\$99.95 pr.**
Complete set..... **\$149.95**
Pony upholstery (complete set)..... **\$219.95**

MOLDED CARPET

Specify year, body style & color. **\$84.95**

CARPET UNDERLAYMENT

65/73 All Models **\$34.95**

DOOR SILL PLATES

Please specify year and body style.
65-68 69-70 71-73
\$29.95 pr. \$39.95 pr. \$39.95 pr.

TAIL LIGHT BEZELS

65/66 C5ZZ-13489-A **\$30.00 pr.**
67/68 C8ZZ-13489-A **\$59.95 set**

TAIL LIGHT LENS

65/66 C5ZZ-13450-AR..... **\$9.95 ea.**

GREAT PRICES • HUGE INVENTORY • FAST DELIVERY

On all orders, add 10% for shipping, minimum \$2.00. **FREE U.P.S. Shipping on any order over \$200.00.**

Information: (203) 647-1965
FAX: (203) 649-1260 **DEALER INQUIRIES WELCOME.**