

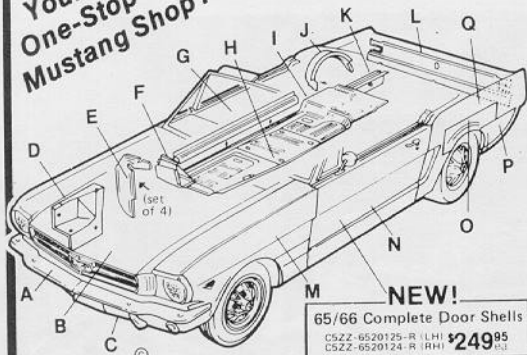


MUSTANGS unlimited, inc.

185 ADAMS STREET,
MANCHESTER, CT 06040

TO ORDER, CALL TOLL-FREE
1-800-243-7278

Your
One-Stop
Mustang Shop!



NEW!
65/66 Complete Door Shells
C5Z-6520125-R (LH) \$249.95
C5Z-6520124-R (RH)

* These items must be shipped Freight Collect. Please specify year, and right or left, when ordering.

- FLOOR PAN SPECIAL** \$169.95
Incl. pr. of A-107 fronts and pr. of A-108-E extended rears.
- COMPLETE FLOOR SPECIAL** \$229.95
Incl. pr. of A-107 fronts, pr. of A-108-E extended rears, plus pr. of A-126 fire wall patch
- CONVERTIBLE FLOOR SPECIAL** \$349.95
Incl. pr. of A-107 fronts, pr. of A-108-E extended rears, pr. of M-112 inner rocker panels and pr. of M-114 torque boxes.

A.) **BUMPERS!** Best quality!
Specify year, front or rear. 65/70..... **\$77.95** ea.

- B. Hood Assembly: 65/66 C5Z-16612-R \$149.95 ea.
67/68 C7Z-16612-R \$169.95 ea.
- C. Valances: 65/68 Front -17A939-R \$44.95 ea.
69/70 Front \$74.95 ea.
65/68 Rear \$39.95 ea.
69/70 Rear \$44.95 ea.
- D. Fender Aprons: Front R/H \$29.95 ea.
65/66 \$27.95 ea. Front L/H \$29.95 ea.
67/68 \$39.95 ea. \$27.95 ea.
- E. Splash Shields (w/rubber): 65/68 -16102 \$65.00 set
F. Torque Box: 65/70 A-114 (convertible) \$49.95 ea.
65/70 A-117 (hardtop) \$49.95 ea.
- G. Inner Rocker Panel: 65/70 A-112 \$49.95 ea.
- H. and I. Floor Pans—see listing at left.
- J. Outer Wheel House: 65/66 A-113 \$49.95 ea.
67/70 specify year \$54.95 ea.
- K. Inner Wheel House: 65/70 \$36.00 ea.
- L. Rear Shackle Rail: 65/70 A-103-A \$36.00 ea.
M. Tail Light Panels: 65/66 C5Z-6540324-AR \$64.95 ea.
67/68 C7Z-6540324-BR \$59.95 ea.
- N. Front Fenders: 65/66 \$119.00 ea.
67/70 \$129.00 ea.
- O. Outer Door Skins: 65/66 or 67/68 \$89.95 ea.
P. Wheel Flair Patch: 65/66 M-101 \$36.00 ea.
67/68 M-201 \$28.00 ea.
69/70 M-301 \$34.00 ea.
- Q. Lower Rear Qtr. Patch: 65/66 M-100 \$23.50 ea.
69/70 M-200 \$30.00 ea.
69/70 M-300 \$34.00 ea.
71/73 M-400 \$39.00 ea.
- * Inner Lower Rear Qtr. Patch: 65/70 A-109 \$11.95 ea.
71/73 A-409 \$18.00 ea.
- R. Quarter Panel Skin (repro): 65/66 \$79.95 ea.
69/70 Fastbk. Qtr.: Skin C9Z-6327840/1-AR \$99.95 ea.
H.D. C9Z-6327840/1-BR \$179.95 ea.
- * NEW! Full Qtr. Panel: 65/66 \$139.95 ea.
C5Z-6527846-R (hardtop) QR \$250.00 pr.
C5Z-7627846-R (convertible) \$32.95 ea.
- * Trunk Floors: 65/70 R/H C9Z-6511218-A \$139.95 ea.
65/70 L/H C9Z-6511219-A \$250.00 pr.
\$32.95 ea.
- * not shown in illustration \$32.95 ea.

LOOK FOR US IN:

- SANTA ROSA, CA—
July 2.
- CARLISLE, PA—
July 22, 23 & 24.
- MANCHESTER, CT—
August 28.

Call in your order—
Pick it up at the show—
We pay the shipping—
YOU SAVE!

GET YOUR
MUSTANGS
unlimited, inc.
Catalog
\$5.00 COUPON INSIDE!
Only \$3.00



**MUSTANG
WOOD
STEERING
WHEEL**

Complete w/mounting
kit. Specify year.
SPECIAL \$79.95

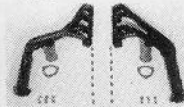


LICENSE PLATE FRAMES
1964 to 1973. Specify year. \$6.95 pr.

MIRRORS

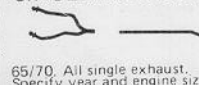
- 65/66 Standard C3RZ-17696-R..... **\$32.95**
- 65/66 Remote C5Z-17696-THR..... **\$69.95**
- 67/68 Remote C7AZ-17696-E..... **\$59.95**

TRI-Y-HEADERS



High quality reproduction headers add to the performance of any small block engine.
S1MS-9430-R
\$109.95

COMPLETE SINGLE EXHAUST

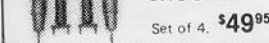


65/70. All single exhaust. Specify year and engine size. **\$139.95**

'65 to '73 FRONT SPOILERS

Specify year..... **\$39.95**
69/73 Plastic, like original!..... **\$59.95**

HEAVY DUTY SHOCKS



Set of 4. **\$49.95**

REAR LEAF SPRINGS

Specify year and engine size. **\$150.00** pr.

REAR SHACKLE KITS \$29.95 pr.
Model No. FS-769.

WE WELCOME DEALER INQUIRIES!

BUMPER GUARDS
65/66, 67/68, front and rear. Set of 4..... **\$65.00** set

HI-PO AIR CLEANER
W/free decal. Specify engine size. C5Z-9600-R..... **\$19.95**

EXPORT BRACE
C5Z-16A052-ER..... **\$39.95**
Also Available in Chrome. C5Z-16A052-ERC..... **\$49.95**

MONTE CARLO BARS
BLACK CHROME
Straight..... **\$18.00**..... **\$29.95**
Curved..... **\$27.00**..... **\$39.95**

BATTERY BOX KIT
Exact factory reproduction for 65/73. Includes battery box, hold-down and attaching hardware. Specify year. 10732-K
65/66..... **\$14.00** 67/70..... **\$25.00** 71/73..... **\$14.00**

DOOR SILL PLATES
Please specify year and body style.
65/68..... **\$29.95** pr. 69/70..... **\$39.95** pr. 71/73..... **\$39.95** pr.

TAIL LIGHT BEZELS
65/66 C5Z-13489-A..... **\$30.00** pr.
67/68 C8Z-13489-A..... **\$59.95** set
TAIL LIGHT LENS
65/66 C5Z-13450-AR..... **\$9.50** ea.

FLOOR MATS
A. Tri-Color Running Horse Blk. w/running horse on red, wht. & blue striped circle. Set of 4..... **\$24.95** set
B. Custom Two-Tone Carpeted Mats Available in black, blue, red or tan. Set of 4..... **\$34.95** set
C. Original Pony Mats Set of 4..... **\$39.95** set

DOOR PANELS
Specify year and color.
65/68 Standard 69/73 Standard 65/66 Pony
\$59.95 pr. **\$99.95** pr. **\$134.95** pr.

DASH PADS
65/66..... **\$139.95**
67/68..... **\$174.00**
69/70..... **\$228.00**
65/66 Arm Rest Pads..... **\$75.00** ea.
65/66 Chrome Armrest Bases..... **\$75.00** ea.

65/68 STANDARD UPHOLSTERY
Specify year, body style and color.
Buckets..... pr. **\$99.95**
Complete Set..... **\$149.95**
Pony upholstery (complete set)..... **\$219.95**

MOLDED CARPET UNDERLAYMENT
Specify year, body style and color. **\$84.95**
65/73 All Models **\$34.95**

COVERCRAFT CAR COVERS
Green Drill Tan Flannel Technolon
\$72.00 **\$95.00** **\$99.95**
Specify Year and Body Style.

65/68 HEATER PLENUM
C5Z-18471-A..... **\$19.95**
LOWEST PRICE, BEST QUALITY!
C5Z-18471-BR..... **\$29.95**

PERFECT FIT RADIO
AM/FM stereo cassette, 14 watts. **\$149.95**
MS-18, fits 65/73..... **\$219.95**
MS-78, digital..... Reg. \$259.95
Other styles available

RADIO ANTENNA KIT
For Mustangs, Shelby: Quality repro w/orig. round base, everything needed for installation! 65/68, C5Z-18813-R. **\$16.95**

65/68 COWL VENT REPAIR KIT
With Instructions. C5Z-18501-R **\$26.95**

DOOR HANDLE ASSEMBLIES
\$29.95 pr.
65/66, 69/70 C3XB-6422404/5-B
67/68 C7ZB-6522404/5-B

FAST PRICES • HUGE INVENTORY • FAST DELIVERY
• Add 10% shipping on all orders (min. \$2.00).
• FREE U.P.S. shipping on orders over \$200.00.
• Pre-paid mail orders: Please send cashiers check or money order; personal checks must be held 15 days for bank clearance.
Information: (203) 647-1965 TeleFax: (203) 649-1260