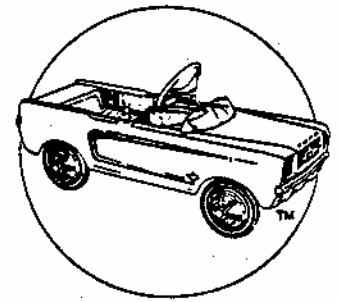


# Blue Diamond Classics

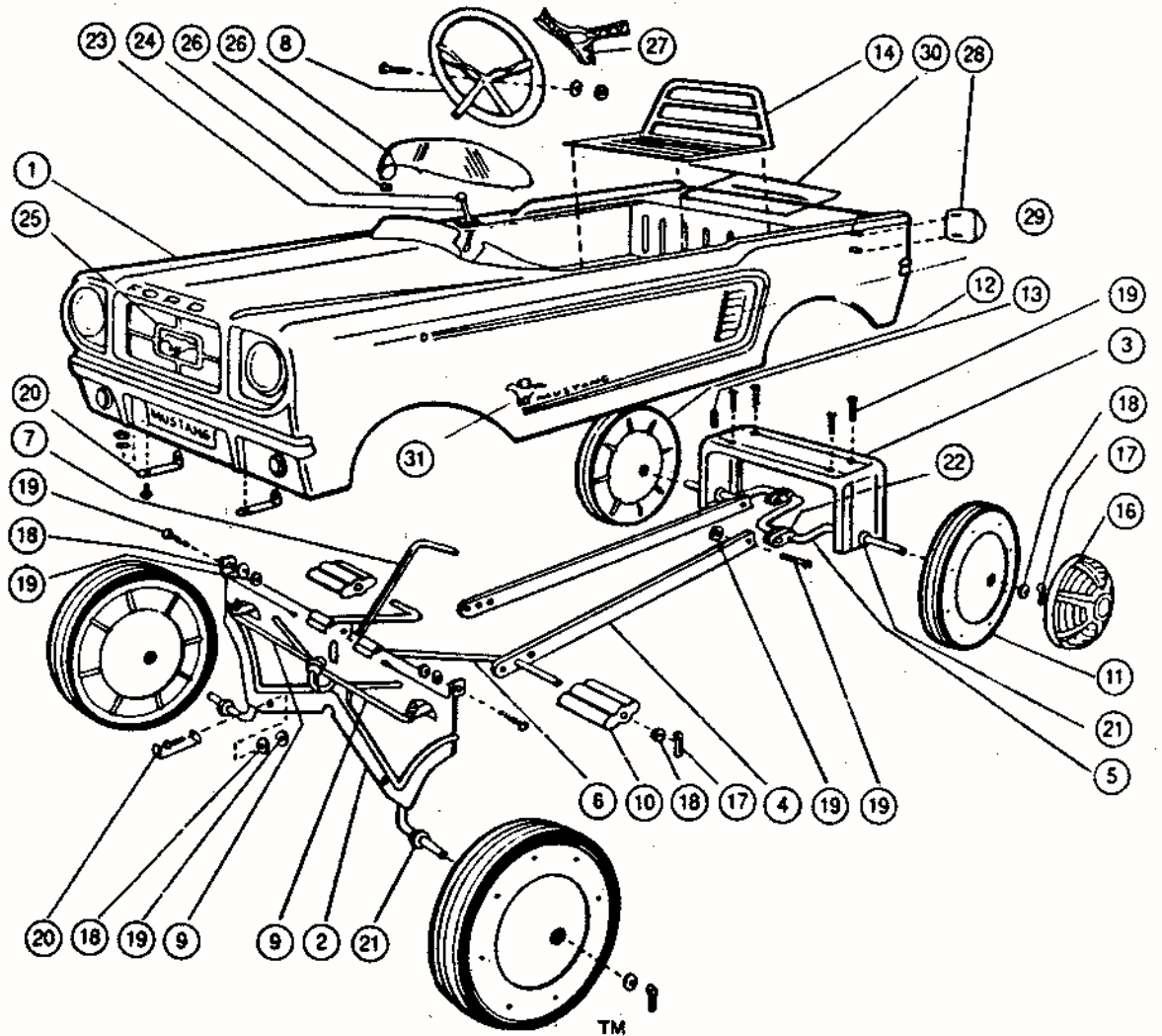


**Blue Diamond Classics**, a full-service collector of antique and classic cars (large and small) has made an important addition to its pedal car division. **Blue Diamond** has acquired Sunrise Enterprises' Mustang pedal car parts distribution business, formerly owned by Herb Plassman in Bryan, Ohio. Now located in Indianapolis, we continue to offer consistently high-quality parts which are recognized nationally for their detail and authenticity.

The little "muscle car" once considered a Christmas toy has now become a serious collectible. Built for Ford in 1964 and 1965, AMF Co. continued to produce this 39" miniature through 1972 with modifications. **Blue Diamond** is pleased to offer a full and complete kit of parts and information for your restoration efforts.



## MUSTANG PEDAL CAR PARTS



For price information or to place an order call, write or FAX:

**BLUE DIAMOND CLASSICS, Mustang Pedal Car Parts**  
 6464 North Rucker Road  
 Indianapolis, Indiana 46220  
 (317) 259-1519 FAX: (317) 253-7170