

The Mustang Club of America

NATIONAL HEADQUARTERS

P. O. BOX 447

LITHONIA, GEORGIA 30058

MEMBERSHIP * The membership fee is \$15.00 annually and will be due upon the expiration date of your membership.

PAYMENT OF DUES * The Mustang Club of America cannot be responsible for cash sent through the mail. We request any transaction be made by check or money order and made payable to The Mustang Club of America.

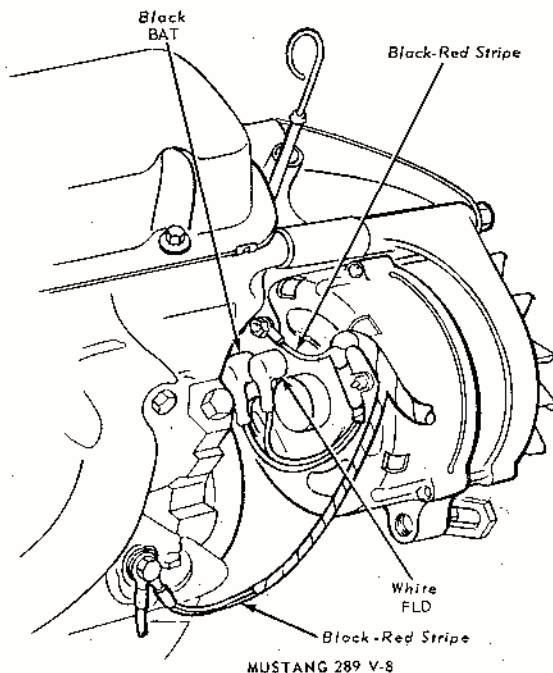
CHANGE OF ADDRESS * Please notify the Club immediately of any change in your address.

OPERATING BUDGET * The Mustang Club of America does not pay its officers salaries or hourly wage earnings. All money received goes directly into operating the Club.

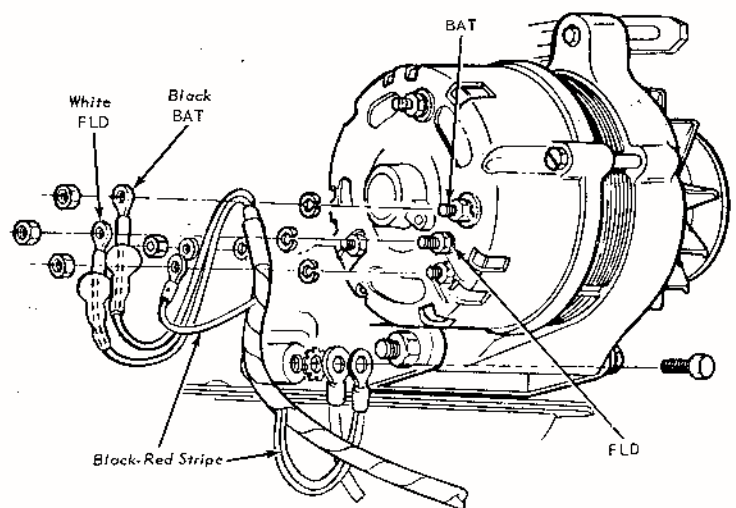
A number designates a conventional axle, while a letter designates a locking differential.

CODE	RATIO	CODE	RATIO
1	3.00:1	A	3.00:1
2	2.83:1	B	2.83:1
3	3.20:1	C	3.20:1
4	3.25:1	D	3.25:1
5	3.50:1	F	2.80:1
6	2.80:1	—	—
7	3.36:1	—	—
8	2.75:1	—	—
9	4.11:1	—	—
0	3.10:1	—	—

1969 MUSTANG REAR AXLE RATIO CODES



1969 MUSTANG ALTERNATOR CONNECTIONS



1978 OFFICERS

NATIONAL PRESIDENT
GARY GODDARD, COVINGTON, GA.

NATIONAL VICE-PRESIDENT
KEN YEAGER, DECATUR, GA.

NATIONAL SECRETARY/TREASURER
JIM OSBORN, DECATUR, GA.

NATIONAL BOARD OF DIRECTORS

(TERM EXPIRES 10-1-78)
LEE GREENFIELD, GRAYSON, GA.
GEORGE WHITE, SMYRNA, GA.

(TERM EXPIRES 10-1-79)
JACK HUFF, GRAYSON, GA.
BILL HATFIELD, FRANKLIN, N. C.
DENNY ARRINGTON, LAWRENCEVILLE, GA.
JACK YEAGER, DECATUR, GA.
MAX EPPS, CHURCH HILL, TENN.
BRENT DANNEMAN, ATLANTA, GA.
LARRY DOBBS, LAKE LAND, FLA.
CHARLIE JONES JR., NASHVILLE, GA.