

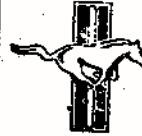
NOS MUSTANG PARTS
CHRISTMAS/NEW YEARS SPECIAL

65 Inst housing B/C \$14.50; 65/66 Inst housing woodgrain \$14.75; 66 Inst housing B/C \$14.50; 67 Inst housing B/C \$12.35; 67 Inst housing brushed alum. \$21.50; 68 Inst housing B/C \$22.00; 65/66 Temp. gauge \$6.45; 67/68 Temp. gauge \$7.50; 65/66 Ign switch bezel \$1.75; 67/68 Ign switch bezel \$2.50; 67 Parking lamp assy \$10.55; 65/66 Parking lamp assy L or R \$9.50; 65/66 Parking lamp lens \$1.65; 67/68 Parking lamp lens \$2.40; 65/68 Turn signal lever \$2.00; 65/66 Horn ring std. \$22.00; 65/67 Horn ring woodgrain \$12.25; 67 Horn ring std \$12.25; 68/69 Horn ring std \$13.25; 65/66 Back-up lamp assy L or R \$9.15; 67/68 Back-up lamp assy L or R \$9.15; 65/68 Back up lamp lens \$1.30; 65/66 Apron-fender (battery panel) \$14.90; 65 "Mustang" script 4 1/2" \$2.90; 65/66 "Mustang" script 4 7/8" \$4.00; 65/66 "Mustang 2+2" script \$5.85; Decals: Air Cleaner, 200 CID, 260, 289, 289 4V, 302, 302 4V, 351, 351 4V, 390, 390 4V, 65/66 Jacking Instructions, 65/66 Service specs, 65/66 Tire pressure specs, \$1.50 Please add 10% UPS shipping and postage. Prices good until January 30, 1979

CIRCLE CITY MUSTANG- MC

3309 Candlewood Drive Dothan, AL. 36301

MUSTANG NEWS



The Monthly Magazine Devoted Exclusively to MUSTANGS

Each issue packed full of:

- * Articles
- * Technical Data
- * Readers Section
- * Ads for Cars & Parts
- * Coming Events
- * Plus many valuable tips

SUBSCRIBE TODAY!!!!

SUBSCRIPTION - 1 Year - 12 Issues, \$ 10.00

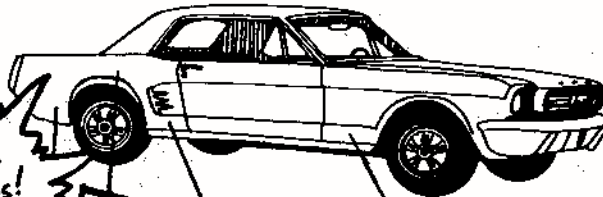
Sent to MUSTANG NEWS

1141 Cameron Way
Stockton Calif. 95207
(209) 478-6142

64-66 Mustang steel patch panels

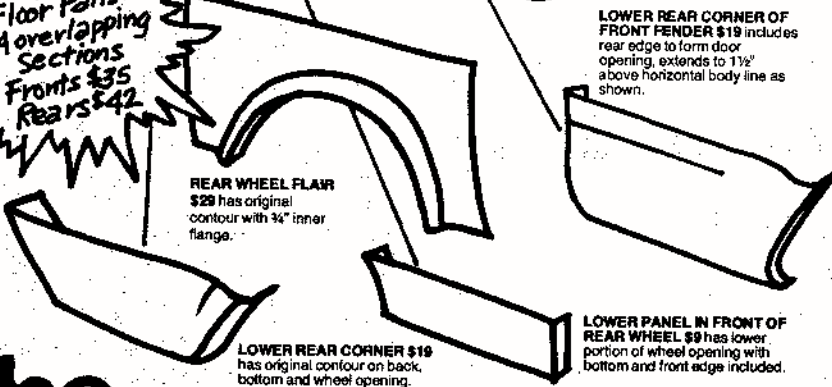
exact reproduction of original

COMING SOON!
Superior Floor Pans!
4 overlapping Sections
Fronts \$35
Rear \$42



These panels have been developed from years of experience in restoring sports and special interest autos in our own shop.

We specialize in the re-creation of special sheet metal parts for special applications. We're developing a complete selection of underbody parts for early Mustang as well as other cars such as BMW 2002, Porsche, and others. We will be introducing many new Mustang body parts in the near future.



LOWER REAR CORNER OF FRONT FENDER \$19 includes rear edge to form door opening, extends to 1 1/2" above horizontal body line as shown.

REAR WHEEL FLAIR \$29 has original contour with 3/4" inner flange.

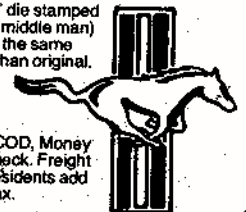
LOWER REAR CORNER \$19 has original contour on back, bottom and wheel opening.

LOWER PANEL IN FRONT OF REAR WHEEL \$9 has lower portion of wheel opening with bottom and front edge included.

Parts are "deep draw" die stamped in our own shops (no middle man) of American steel, the same thickness or greater than original.



We will ship U.P.S., COD, Money Order, or Certified Check. Freight additional. Indiana residents add 4% sales tax.



Specify Driver or Passenger side on all orders.

the paddock
SPORTSCAR SPECIALISTS

THE PADDOCK, 38 W. Warrick St., Knightstown, Indiana 46148
ORIGINAL REPRODUCTIONS IN STEEL BODY PANELS

317 345-2984