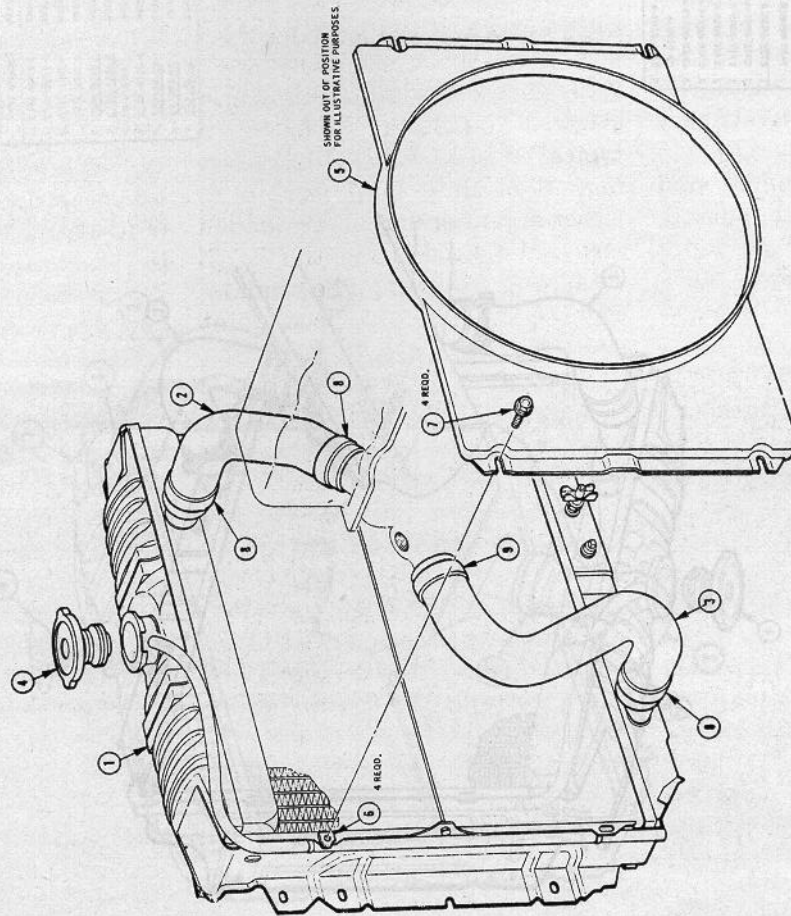


This information reprinted from the 1967 Ford Products Engine Equipment Assembly Manual courtesy Jim Osborn Reproductions, Inc., 101 Ridgecrest Drive, Lawrenceville, GA 30245 (770) 962-7556.

ENGINE  
**1967**  
MANUAL  
PASSENGER CAR

PART NO.	PART NAME	STD. & THERM. MCO	W/ THERM. MCO
1. C7ZE-8082-AC	RADIATOR ASSEMBLY	X	X
2. C7ZE-8082-AB	RADIATOR ASSEMBLY	X	X
3. C7ZE-8082-A	HOSE-RADIATOR-UPPER	X	X
4. C7ZE-8082-B	HOSE-RADIATOR-LOWER	X	X
5. C7ZE-8082-C	RADIATOR CAP ALTERNATE	X	X
6. C7ZE-8082-D	RADIATOR CAP	X	X
7. C7ZE-8082-E	SHROUD-FAN	X	X
8. 390250-532	NUT - 1/2" SPRING	X	X
9. 31486-58	SCREW - SELF TAPPING #14-10 X 5/8	X	X
10. 377590-58	CLAMP-HOSE	X	X
11. 377593-58	CLAMP-HOSE	X	X

NOTE: - FOR MODELS WITHOUT THERMATOR, OR MCO SEE PAGE F-278.



INSTALLATION - RADIATOR AND SHROUD WITH THERMATOR EMISSION ENGINE - 200 TANG WITH MODELS - AIR CONDITIONING

NOTE: THIS ILLUSTRATION IS FOR INFORMATION ONLY. PART NUMBERS LISTED MUST BE VERIFIED WITH LATEST ENGINE PARTS LIST OR RELEASE.

DENOTES CHANGE

DATE: 22 DECEMBER 1966

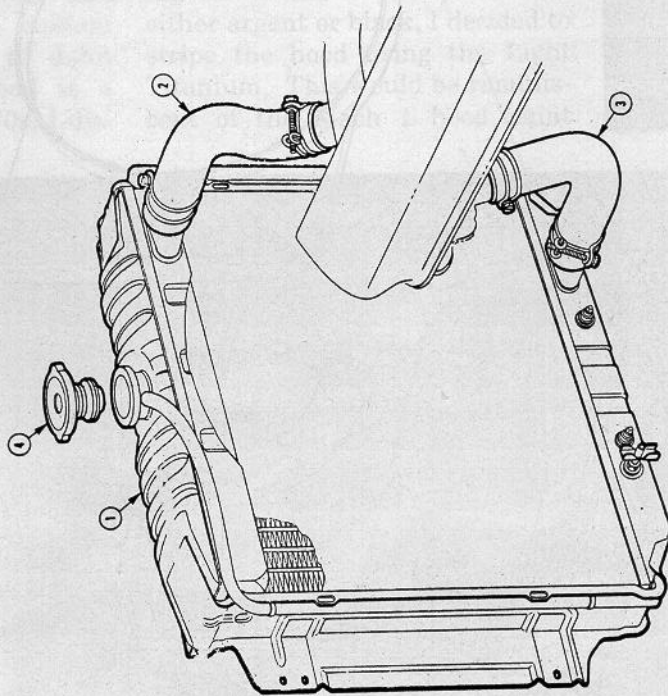
1967 PASSENGER CAR ENGINE EQUIPMENT INSTALLATION MANUAL

# Tech Corner

This information from the 1967 Ford Products Engine Equipment Assembly Manual courtesy Jim Osborn Reproductions, Inc., 101 Ridgcrest Drive, Lawrenceville, GA 30245, (770) 962-7556.

ENGINE  
1967  
MANUAL  
PASSENGER CAR

PART NUMBER	PART NAME	MUSTANG		CORVARE	
		STANDARD COOLING MANUAL THERM. JEWEL	EXTRA COOLING TRANS. THERM. JEWEL	STANDARD COOLING MANUAL THERM. JEWEL	EXTRA COOLING TRANS. THERM. JEWEL
1. C7ZE-8005-E	RADIATOR ASSEMBLY	X	X	X	X
1. C7ZE-8005-AA	RADIATOR ASSEMBLY		X		X
1. C7ZE-8005-T	RADIATOR ASSEMBLY	X	X	X	X
1. C7ZE-88274-A	HOSE & CLAMP ASSEMBLY - UPPER	X	X	X	X
2. C6ZE-88273-A	HOSE & CLAMP ASSEMBLY - LOWER	X	X	X	X
4. LD-8100-A	RADIATOR CAP - AL-TERRATE	X	X	X	X
4. C1A-8100-A	RADIATOR CAP				



NOTE: THIS ILLUSTRATION FOR REFERENCE ONLY. MUST BE VERIFIED WITH LATEST ENGINEERING PARTS LIST ON RELEASE.  
--- DENOTES CHANGE

DATE: 27 OCTOBER, 1966

INSTALLATION-RADIATOR ASSEMBLY WITH THERMATOR EMISSION AND JEWEL ENGINE-289 MUSTANG & CORVARE MODEL STANDARD OR EXTRA COOLING

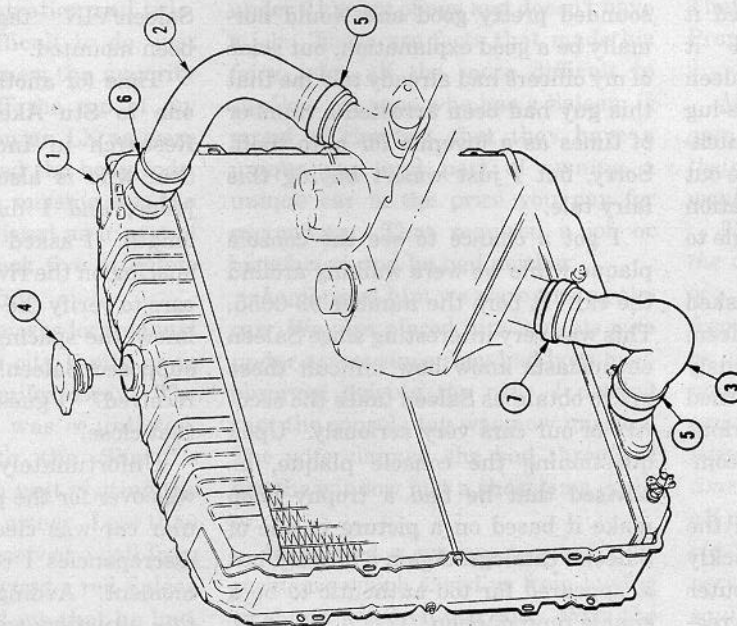
1967 PASSENGER CAR ENGINE EQUIPMENT INSTALLATION MANUAL

This information reprinted from the 1967 Ford Products Engine Equipment Assembly Manual courtesy Jim Osborn Reproductions, Inc., 101 Ridgecrest Drive, Lawrenceville, GA 30245, (770) 962-7556.

## PASSENGER CAR

ENGINE  
**1967**  
MANUAL

PART NUMBER	PART NAME	MUSTANG		5-77 GT	
		STANDARD COOLING TO TRANS.	EXTRA COOLING TO TRANS.	STANDARD COOLING TO TRANS.	EXTRA COOLING TO TRANS.
1. C7E-9003-D	RADIATOR ASSEMBLY	X		X	
1. C7E-9003-E	RADIATOR ASSEMBLY		X		X
1. C7E-9003-F	RADIATOR ASSEMBLY	X	X	X	X
1. C7E-9003-G	RADIATOR ASSEMBLY	X	X	X	X
2. C7E-9202-E	HOSE-RADIATOR-UPPER	X	X	X	X
3. C7E-9202-E	HOSE-RADIATOR-LOWER	X	X	X	X
4. D9-9100-A	RADIATOR CAP - ALTERNATE	X	X	X	X
4. D9-9100-A	RADIATOR CAP	X	X	X	X
5. 212384-5B	CLAMP-HOSE	X	X	X	X
5. 212384-5B	CLAMP-HOSE	X	X	X	X
7. 212385-5B	CLAMP-HOSE	X	X	X	X



NOTE: THE ILLUSTRATION PART NUMBERS LISTED MUST BE VERIFIED WITH LATEST PARTS LIST OR RELEASE.  
— DENOTES CHANGE

INSTALLATION - RADIATOR ASSEMBLY STD. OR EXTRA COOLING FOR MODELS WITH THERMATOR EMISSION ENGINE - 330 MODELS - MUSTANG & 5-77 GT

1967 PASSENGER CAR ENGINE EQUIPMENT INSTALLATION MANUAL

DATE: JULY 14, 1966