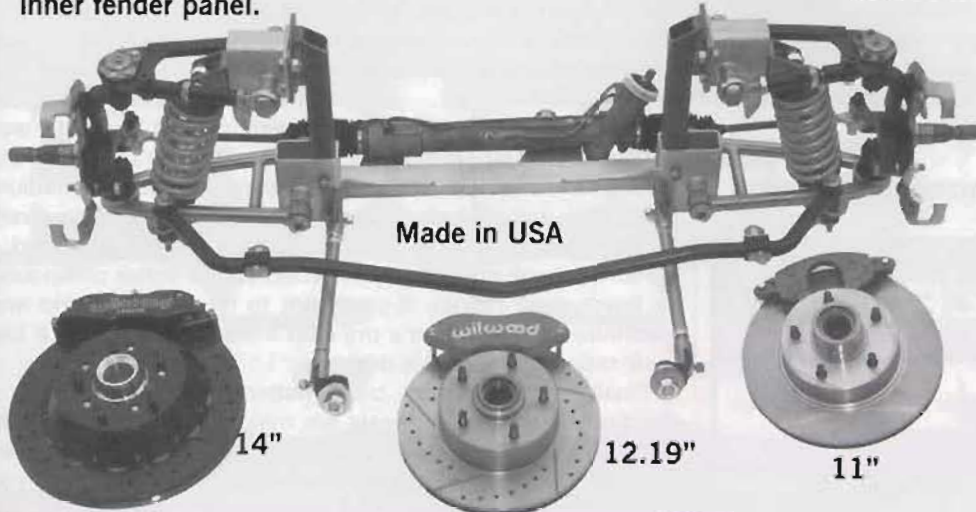


'64-73 MUSTANG BOLT-IN IFS

ALSO FITS: COMET, COUGAR, FAIRLANE, FALCON, MAVRICK, MONTEGO, RANCHERO & TORINO

IT BOLTS TO STOCK FACTORY HOLES AND CAN BE INSTALLED IN A WEEKEND AT HOME WITH BASIC HAND TOOLS AND A DRILL MOTOR. Simply drill 8 holes and bolt it together. Engineered for superior handling, stopping and steering. The caster-and-camber weight is loaded onto the frame, not the inner fender panel.



Made in USA

14"

12.19"

11"

There is no need for tower supports. The rear steer crossmember that holds the rack sits above the bottom of the oil pan.

THE STANDARD PACKAGE INCLUDES our adjustable stance upper towers, power R&P, 11" disc brakes (with optional 12.19" or 14"), aluminum coil-over shocks, 1" diameter antisway bar and tubular a-arms (not Mustang II). All parts available separately.

www.jimmeyerracing.com * E-mail: jim@jimmeyerracing.com

Tech Line: 541-994-7717

Order Line: 1-800-824-1752

2795 S.E. 23rd

Lincoln City, OR 97367

JimMeyer Racing products Inc



EAST COAST BOLTS

*Mustang & Shelby
Master And Single Kits*

Body Engine Interior Chassis

Body Bolts Clips Nuts Stainless Steel

OEM Correct Restoration Fasteners

Flat Rate Shipping World Wide

Bulk Orders Welcome

Visit us at: www.eastcoastbolts.net

Call Us At 540-905-4812

*We Are a Master Distributor of
AMK Products*



Shelby Restorations, Services and Parts



Over 30 years of experience performing basic mechanical needs to award winning restorations and complete vintage race car construction. Track side support available for all Shelby American automobiles.

Cobra Automotive Racing and Performance Parts Catalog - \$5.00

Cobra Automotive, Inc.

Phone: 203-284-3863

www.cobraautomotive.com

37 Warehouse Point Rd. • Wallingford, CT 06492