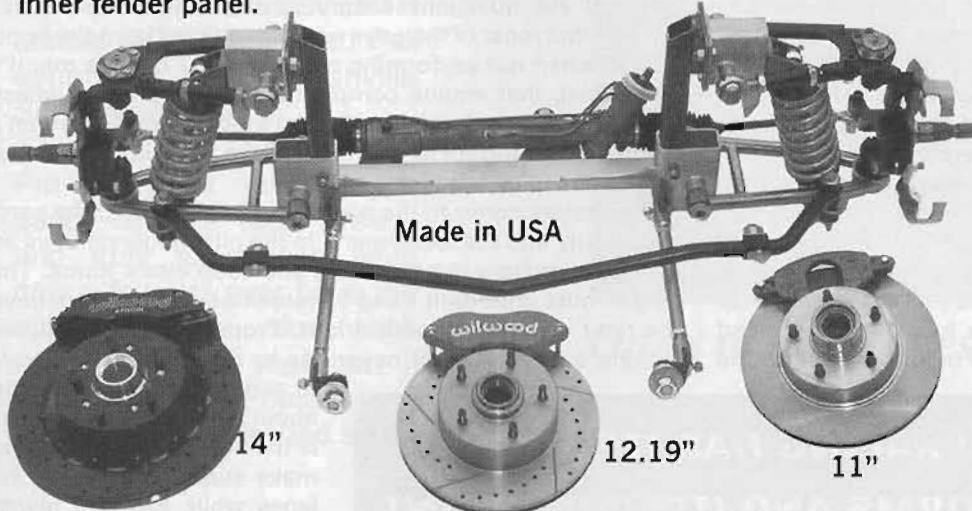


'64-73 MUSTANG BOLT-IN IFS

ALSO FITS: COMET, COUGAR, FAIRLANE, FALCON, MAVRICK, MONTEGO, RANCHERO & TORINO

IT BOLTS TO STOCK FACTORY HOLES AND CAN BE INSTALLED IN A WEEKEND AT HOME WITH BASIC HAND TOOLS AND A DRILL MOTOR. Simply drill 8 holes and bolt it together. Engineered for superior handling, stopping and steering. The caster-and-camber weight is loaded onto the frame, not the inner fender panel.



There is no need for tower supports. The rear steer crossmember that holds the rack sits above the bottom of the oil pan.

THE STANDARD PACKAGE INCLUDES our adjustable stance upper towers, power R&P, 11" disc brakes (with optional 12.19" or 14"), aluminum coil-over shocks, 1" diameter antisway bar and tubular a-arms (not Mustang II). All parts available separately.

www.jimmeyerracing.com * E-mail: jim@jimmeyerracing.com

Tech Line: 541-994-7717
Order Line: 1-800-824-1752
2795 S.E. 23rd
Lincoln City, OR 97367

JimMeyer Racing products Inc

UPHOLSTERY • DOOR PANELS • SEAT FOAM • SPORT SEATS • SEAT HEATERS • CARPETED TRUNK KITS • PACKAGE TRAYS



distinctive industries
Since 1969

www.distinctiveindustries.com



THE ORIGINAL MANUFACTURER OF
RESTORATION UPHOLSTERY

(800) 421-9777

Demand Distinctive Industries Quality Mustang Upholstery
Available from Distinctive Industries Authorized Dealers Worldwide
Call or email rebecca.trujillo@di.vu for the dealer nearest you



HEADLINERS • SUNVISORS • SAIL PANELS • WOOD AND CARBON FIBER DASH KITS • TOP BOOTS • WELL LINERS
Your #1 Source for the highest quality Mustang Interior from 1964 1/2 - 2011