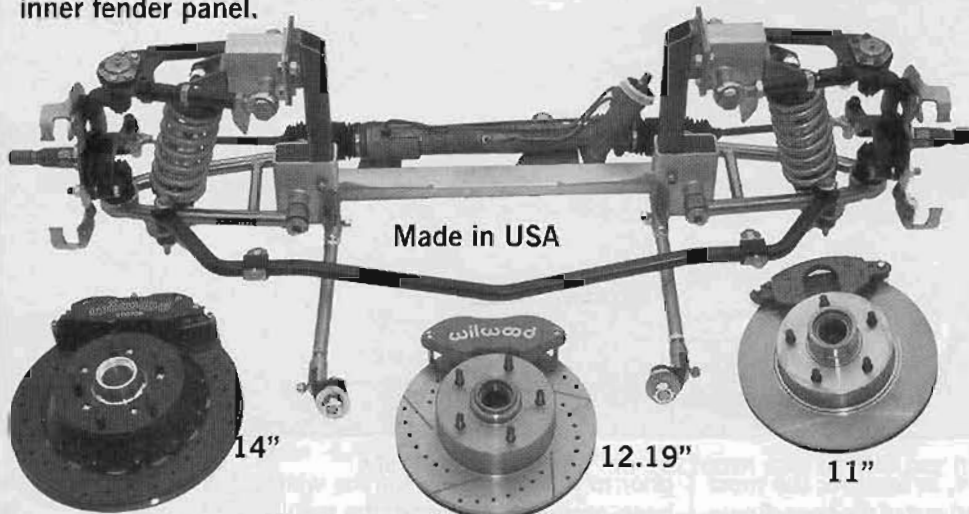


'64-73 MUSTANG BOLT-IN IFS

ALSO FITS: COMET, COUGAR, FAIRLANE, FALCON, MAVRICK, MONTEGO, RANCHERO & TORINO

IT BOLTS TO STOCK FACTORY HOLES AND CAN BE INSTALLED IN A WEEKEND AT HOME WITH BASIC HAND TOOLS AND A DRILL MOTOR. Simply drill 8 holes and bolt it together. Engineered for superior handling, stopping and steering. The caster-and-camber weight is loaded onto the frame, not the inner fender panel.



Made in USA

There is no need for tower supports. The rear steer crossmember that holds the rack sits above the bottom of the oil pan.

THE STANDARD PACKAGE INCLUDES our adjustable stance upper towers, power R&P, 11" disc brakes (with optional 12.19" or 14"), aluminum coil-over shocks, 1" diameter antisway bar and tubular a-arms (not Mustang II). All parts available separately.

www.jimmeyerracing.com * E-mail: jim@jimmeyerracing.com

Tech Line: 541-994-7717

Order Line: 1-800-824-1752

2795 S.E. 23rd

Lincoln City, OR 97367

JimMeyer Racing products inc

NEW

MUSTANGS & MORE

Parts & Accessories Catalog...
It's free and so's our advice.

- Comprehensive stock of new/repro parts.
- Hard-to-find used/refurbished parts.
- Reliable restoration services.
- How-to-do-it advice.

FREE CATALOG...
New & Repro
'64-1/2 To '73
Mustang Parts

CALL NOW!
800-356-6573

2065 Sperry Avenue, No. C, Ventura, CA 93003
805/642-0887

Impress the Judges or Update your Project

For over 20 years **SSNAKE-OYL™** has been the premier source for the finest **Restoration, Rewebbing** and **Repair** of your classic seat belts to **ORIGINAL CONDITION!**

Additionally, **SSNAKE-OYL™** is your most complete source for economical replacement lap belts and 3-point lap/shoulder belts, matching the design and color of factory original. **SSNAKE-OYL™** has a web store stocked with other fine products for your car.

Whether you want *Concours Correct* or *Something to Drive you need...*

Ssnake-Oyl™

call 800.284.7777
fax 903.526.4501
114 North Glenwood Tyler, Texas 75702
www.ssnake-oyl.com