

UPHOLSTERY • DOOR PANELS • SEAT FOAM • SPORT SEATS • SEAT HEATERS • CARPETED TRUNK KITS • PACKAGE TRAYS

**distinctive™ industries**  
Since 1969  
[www.distinctiveindustries.com](http://www.distinctiveindustries.com)

**THE ORIGINAL MANUFACTURER OF RESTORATION UPHOLSTERY**

**(800) 421-9777**

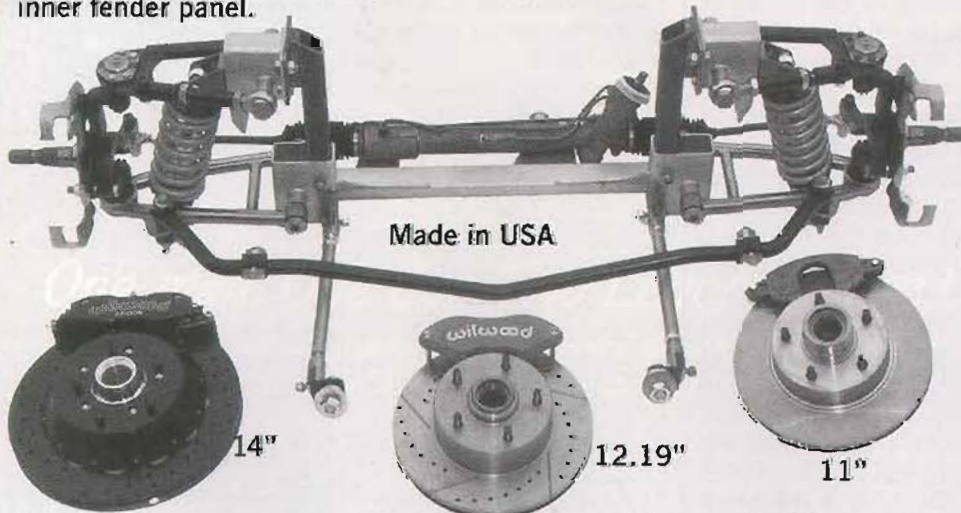
Demand Distinctive Industries Quality Mustang Upholstery Available from Distinctive Industries Authorized Dealers Worldwide Call or email [rebecca.trujillo@di.vu](mailto:rebecca.trujillo@di.vu) for the dealer nearest you

HEADLINERS • SUNVISORS • SAIL PANELS • WOOD AND CARBON FIBER DASH KITS • TOP BOOTS • WELL LINERS  
**Your #1 Source for the highest quality Mustang Interior from 1964 1/2 - 2011**

# '64-73 MUSTANG BOLT-IN IFS

ALSO FITS: COMET, COUGAR, FAIRLANE, FALCON, MAVRICK, MONTEGO, RANCHERO & TORINO

IT BOLTS TO STOCK FACTORY HOLES AND CAN BE INSTALLED IN A WEEKEND AT HOME WITH BASIC HAND TOOLS AND A DRILL MOTOR. Simply drill 8 holes and bolt it together. Engineered for superior handling, stopping and steering. The caster-and-camber weight is loaded onto the frame, not the inner fender panel.



There is no need for tower supports. The rear steer crossmember that holds the rack sits above the bottom of the oil pan.

**THE STANDARD PACKAGE INCLUDES** our adjustable stance upper towers, power R&P, 11" disc brakes (with optional 12.19" or 14"), aluminum coil-over shocks, 1" diameter antisway bar and tubular a-arms (not Mustang II). All parts available separately.

[www.jimmeyerracing.com](http://www.jimmeyerracing.com) \* E-mail: [jim@jimmeyerracing.com](mailto:jim@jimmeyerracing.com)

Tech Line: 541-994-7717  
Order Line: 1-800-824-1752  
2795 S.E. 23rd  
Lincoln City, OR 97367

**Jim Meyer** Racing products inc