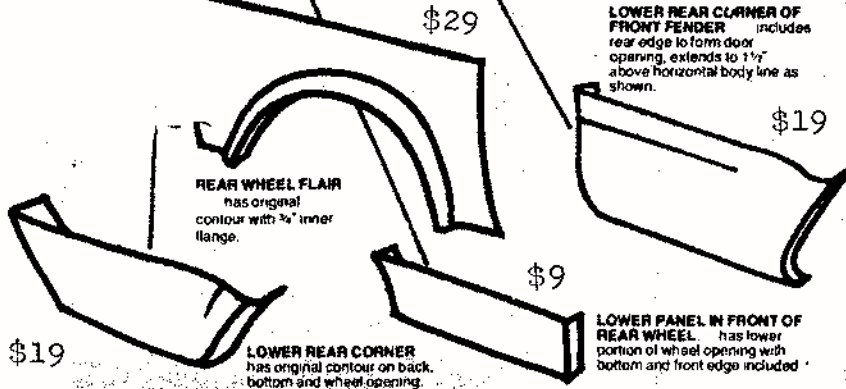
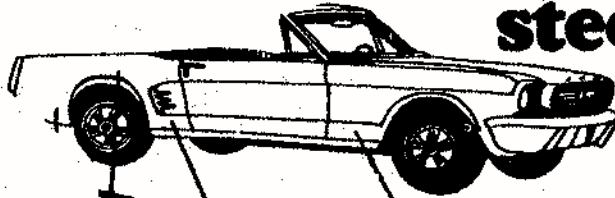


MUSTANGS UNLIMITED

64-66 Mustang steel patch panels



\$29

LOWER REAR CORNER OF FRONT FENDER includes rear edge to form door opening, extends to 1 1/2" above horizontal body line as shown.

\$19

REAR WHEEL FLAIR has original contour with 3/4" inner flange.

\$9

LOWER PANEL IN FRONT OF REAR WHEEL has lower portion of wheel opening with bottom and front edge included.

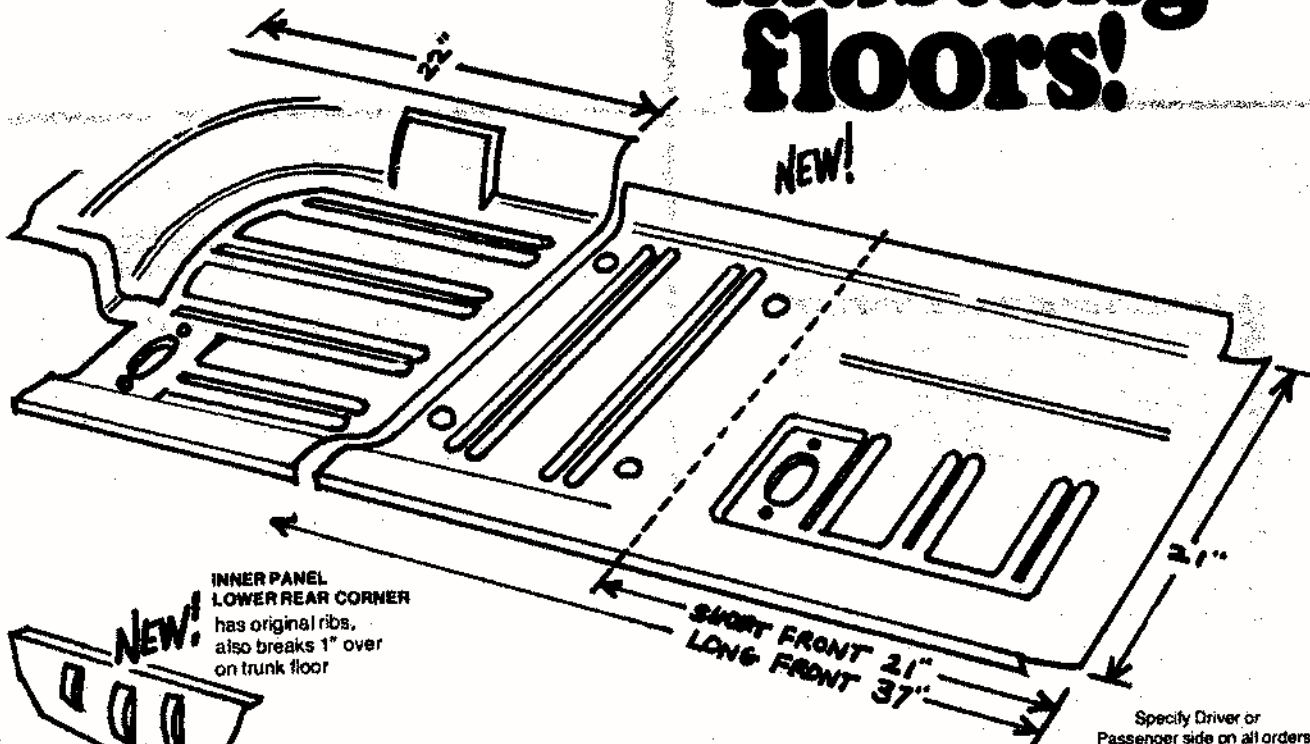
\$19

LOWER REAR CORNER has original contour on back, bottom and wheel opening.



ORIGINAL REPRODUCTIONS IN STEEL BODY PANELS

mustang floors!



NEW!
INNER PANEL LOWER REAR CORNER has original ribs, also breaks 1" over on trunk floor

Specify Driver or Passenger side on all orders.

63 Tolland Turnpike
Manchester, Conn. 06040

(203) 643-0645



We will ship U.P.S., COD, Money Order, or Certified Check. Freight additional. Indiana residents add 4% sales tax.