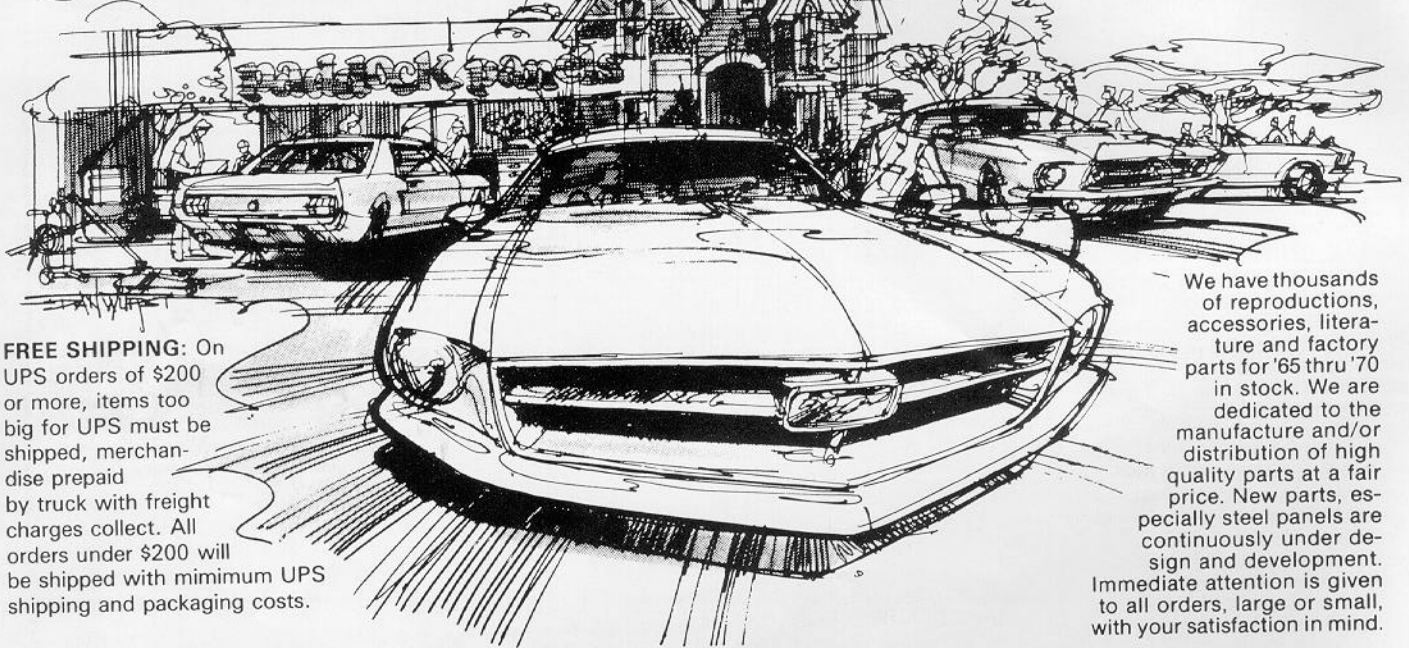


# mustang panels!

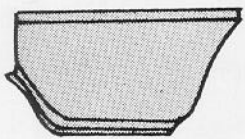
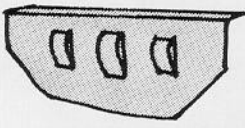

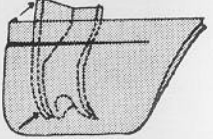
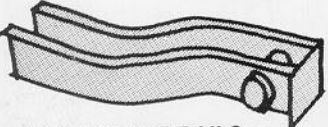
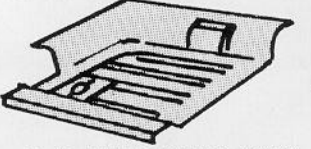
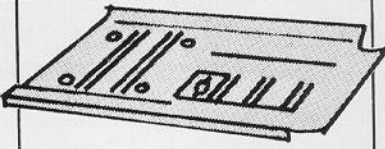

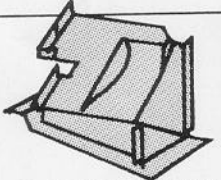
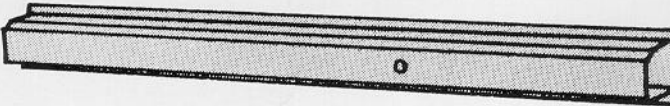

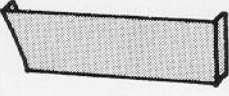
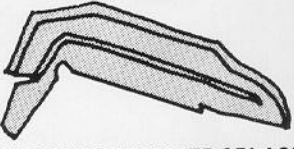
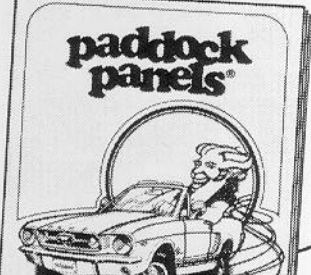
from the largest distributor  
of high quality Mustang parts  
in the midwest.



**FREE SHIPPING:** On UPS orders of \$200 or more, items too big for UPS must be shipped, merchandise prepaid by truck with freight charges collect. All orders under \$200 will be shipped with minimum UPS shipping and packaging costs.

We have thousands of reproductions, accessories, literature and factory parts for '65 thru '70 in stock. We are dedicated to the manufacture and/or distribution of high quality parts at a fair price. New parts, especially steel panels are continuously under design and development. Immediate attention is given to all orders, large or small, with your satisfaction in mind.

Shown below is a partial display of our sheet metal reproductions, and model years available.

 <p>64-70 LOWER REAR QUARTERS</p>	 <p>64-70 INNER PANEL LOWER REAR CORNER</p>	 <p>64-70 REAR WHEEL FLAIRS</p>	 <p>64-68 LOWER REAR CORNER OF FRONT FENDER REPAIR</p>
 <p>64-70 FRAME RAILS - FOR ALL MODELS</p>	 <p>64-68 REAR FLOOR PANS</p>	 <p>64-68 LONG FRONT FLOOR PANS</p>	 <p>64-68 SHORT FRONT FLOOR PANS</p>
 <p>64-68 TORQUE BOX</p>	 <p>64-68 INNER ROCKER PANEL - CONVERTIBLE</p>		<p><b>illustrated catalog \$2</b> add 70¢ for 1st class, free with order. Shows panel dimensions and drawings of many other panels and parts for rebuilding your special interest auto.</p>
 <p>64-66 OUTER WHEELHOUSE</p>	 <p>64-66 LOWER PANEL IN FRONT OF REAR WHEEL</p>	 <p>67-68 FRONT FENDER SPLASH SHIELD - REAR, LEFT SIDE</p>	 <p><b>paddock panels</b> restoration parts / supplies / reproductions etc.</p>

**800-428-4319**

**317-345-2131**

Toll-free order desk except Indiana. Please have orders ready.  
Indiana orders & business office, information on existing orders, etc.

**the paddock inc.**

38 W. WARRICK ST. • DEPT. L  
• P.O. BOX 30 • KNIGHTSTOWN, IN 46148 •

We will ship U.P.S., COD, Cash, Money Order, or Certified Check. Prices subject to change. Freight additional. Indiana residents add 4% sales tax. 15% handling chg. for returns.