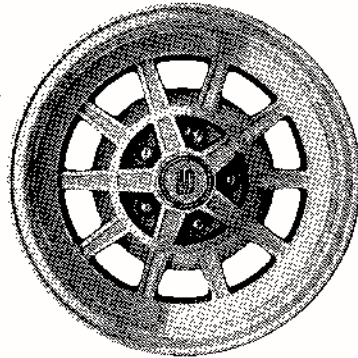
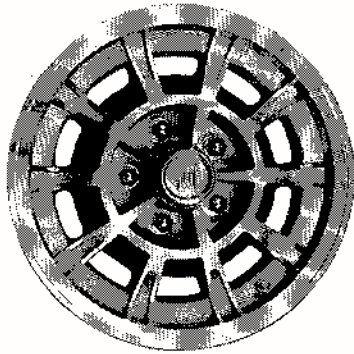


The Shelby GT Mags Are Back!

Out of production for almost as long as the Shelby GTs themselves, the unique styling of the original Carroll Shelby 14-inch and 15-inch alloy wheels is available again.

Both 10-spoke designs feature 7-inch wide rims. The 14-inch wheel is an exact duplicate of the original supplied on '65 and '66 GT-350s; the 15-inch is the same as those on original '67 and '68 GT-350 and GT-500 cars. Both wheels are made from the original molds, updated to current Tire & Rim Association specifications.

Whether you want to keep your Shelby GT all original or want to add the GT touch to your Mustang, you'll be glad these lightweight, high-style alloy wheels are available again. From Carroll Shelby Industries, naturally.



Cobra Restorers
Marietta, Georgia
404-427-0020

Cobra Performance
Sacramento, Calif.
916-391-3204

Tony Branda Performance
Altoona, Pennsylvania
814-942-1869

Mustangs Unlimited
Manchester, Conn.
203-643-0645

For a copy of our latest catalog, listing a complete line of alloy and steel wheels for U.S. and imported cars, send \$2.00.

Your ally in alloy



**Carroll Shelby
Industries, Inc.**

19021 South Figueroa Street
Gardena, Calif. 90248

Toll-free: 800-421-1269 • In Calif: 213-538-3402