

MUSTANGS unlimited

Mustang and Shelby Parts and Accessories

Largest Inventory in the Northeast . . . We have a lot of things you can't get from Ford anywhere!

63 Tollard Turnpike Manchester, CT 06040
(203) 643-0645

TOLL FREE ORDER LINE 1-800-243-7278

Fast UPS Service — VISA — MasterCharge

SPECIALS THIS MONTH: Mustang and Shelby car covers, Gray Shield, 100% cotton, perfect fit ea **\$72.00**

HOT NEW ITEM! 1968 Shelby conv. inside panels exact reproduction, limited run, order now **150.00**

Boss 302 rods, NOS ea **39.00**

Cobra valve covers, 289-351W pr **49.00**

1967 Shelby tail light bezels pr **69.95**

1965-73 shop manuals ea **20.00**

1965-73 Repro rear window louvers . . . set **130.00**

1965-73 Mustang license plate frames . pr **7.00**

Carroll Shelby Motors frames pr **7.00**

Mustang key fobs ea **2.00**

1965-73 Mustang key blanks ea **1.00**

1965-70 reproduction fender mats, plaid or speckled, specify model ea **18.00**

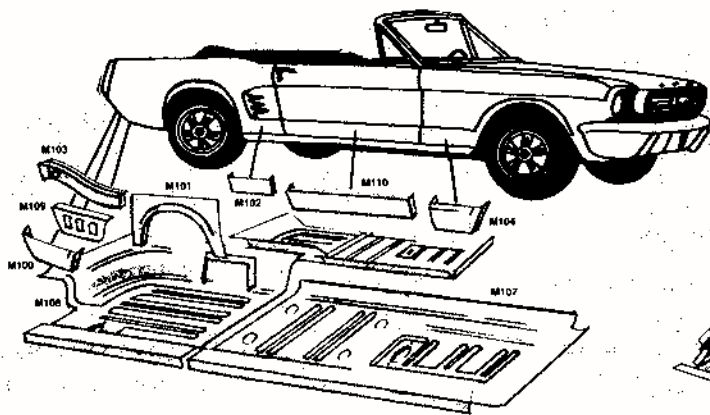
Cobra, GT 500, GT 350, floor mats ea **10.00**

1965-73 Convertible tops with window . ea **88.00**

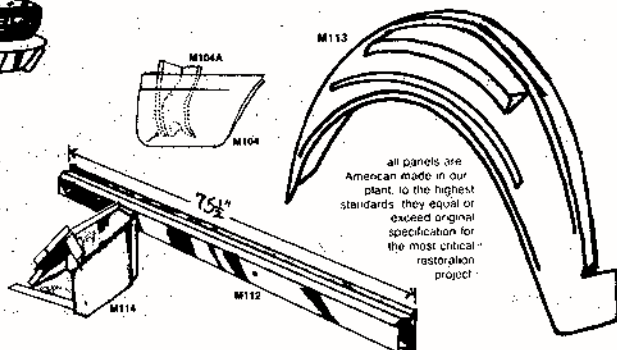
MOLDED CARPET SETS

We have in stock, original carpets for 65-73 models, best fit, jute backing, guaranteed satisfaction. Free shipping . . **100.00**
(Add \$15.98 for fold down)

When Ordering: Add 10% For Shipping: We have, or can get, virtually all Shelby parts and accessories available. We also have an enormous supply of obsolete Mustang goodies and used parts in stock. Call or write for specific needs. Look for us at Swap Meets throughout the year.



'64-'68 steel parts



all panels are American made in our plant. to the highest standards they equal or exceed original specification for the most critical restoration project.

M100 64-66 LOWER REAR CORNER \$21.90 ea. has original contour on back, bottom, and wheel opening. 7 1/2" high.

M100A 64-66 LOWER REAR QUARTER \$27.00 ea. or \$50.00 pr. has original contour on back, bottom and wheel opening. More than 12" high with offset along top edge.

M200 67-68 LOWER REAR QUARTER \$30.00 ea. has original contour on back, bottom and wheel opening. 13" high with offset.

M101 64-66 REAR WHEEL FLAIR \$29.90 ea. has original contour with 3/4" inner flange.

M201 67-68 REAR WHEEL FLAIR \$29.90 ea. same as early with top offset.

M102 64-66 LOWER PANEL IN FRONT OF REAR WHEEL \$9.90 ea. has lower portion of wheel opening with bottom and front edge included.

M103 64-70 CONVERTIBLE FRAME RAIL \$44.50 ea. has original contour, made from heavy 14 gauge steel with mig welded spring mount. 28" long. Specify right or left, body style.

M103A 64-70 COUPE, FASTBACK FRAME RAIL \$44.50 ea. has original contour, made from heavy 14 gauge steel with mig welded spring mount. 28" long. Specify right or left, body style.

M104 64-66 LOWER REAR CORNER OF FRONT FENDER \$21.90 ea. includes rear edge to form door opening, extends to 1 1/2" above horizontal body line. 1" high.

M104A 64-66 INNER STRUCTURE LOWER REAR CORNER OF FRONT FENDER \$15.50 ea. exact duplicate of inner structure.

M204 67-68 LOWER REAR CORNER OF FRONT FENDER \$23.00 ea. includes rear edge to form door opening. 12" high.

M204A 67-68 INNER STRUCTURE LOWER REAR CORNER OF FRONT FENDER \$15.50 ea. exact duplicate of inner structure.

M106 64-66 SHORT FRONT FLOOR PAN \$39.00 ea. Section in front of seat, extends 4-5" up toward pedals.

M107 64-66 LONG FRONT FLOOR PAN \$48.50 ea. Section under and in front of front seat extends 4-5" up toward pedals.

M108 64-70 REAR FLOOR PAN \$48.50 ea. Section extends behind front seat 21". Original contour extends under lip of rear seat, also extends above seat belt hole on tunnel. ON FLOORS seat holes and cleanout holes are stamped out completely, like originals.

M111 64-70 DRAIN HOLE COVERLET \$3.00 ea. or \$10.00 set of 4 galvanized, die stamped like original.

M109 64-70 INNER PANEL LOWER REAR CORNER \$17.00 ea. has original ribs, also breaks 1" over on trunk floor.

M110 64-66 LOWER DOOR SKIN \$27.00 ea. wraps around front, back & bottom edges. Has original contour 7 1/2" high.

M210 67-68 LOWER DOOR SKIN \$20.00 ea. as above. Special order only.

M112 64-68 INNER ROCKER PANEL \$65.00 ea. conv. renews structural strength of convertible.

Factory 64-70 INNER WHEELHOUSE \$40.00 ea.

M113 64-66 OUTER WHEELHOUSE \$59.00 ea. die stamped in our shops, highest quality.

Factory 67-68 OUTER WHEELHOUSE \$44.20 ea.
M114 64-68 TORQUE BOX \$65.00 ea. conv., die stamped 14 gauge steel.