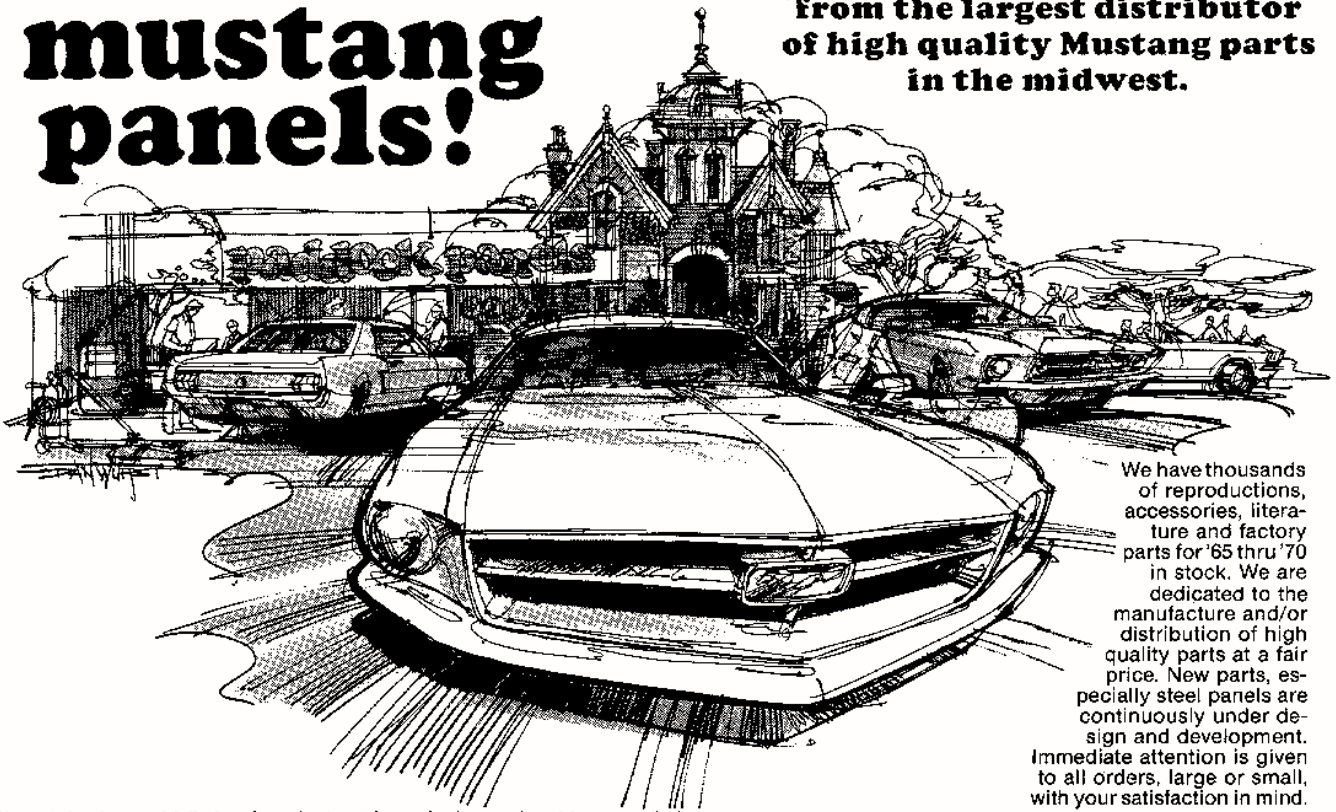


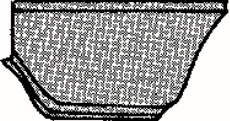
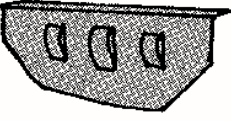

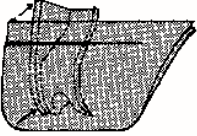

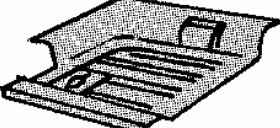
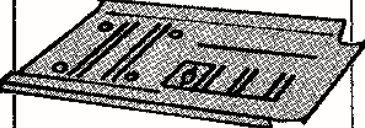
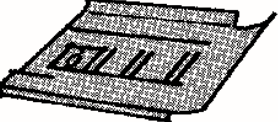
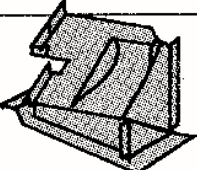




mustang panels!

from the largest distributor
of high quality Mustang parts
in the midwest.

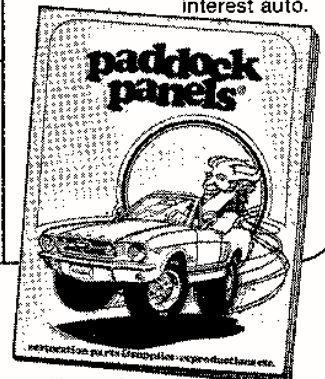


We have thousands of reproductions, accessories, literature and factory parts for '65 thru '70 in stock. We are dedicated to the manufacture and/or distribution of high quality parts at a fair price. New parts, especially steel panels are continuously under design and development. Immediate attention is given to all orders, large or small, with your satisfaction in mind.

Shown below is a partial display of our sheet metal reproductions, and model years available.

 64-70 LOWER REAR QUARTERS	 64-70 INNER PANEL LOWER REAR CORNER	 64-70 REAR WHEEL FLAIRS	 64-68 LOWER REAR CORNER OF FRONT FENDER REPAIR
 64-70 FRAME RAILS - FOR ALL MODELS	 64-68 REAR FLOOR PANS	 64-68 LONG FRONT FLOOR PANS	 64-68 SHORT FRONT FLOOR PANS
 64-68 TORQUE BOX	 64-68 INNER ROCKER PANEL - CONVERTIBLE		
 64-66 OUTER WHEELHOUSE	 64-66 LOWER PANEL IN FRONT OF REAR WHEEL	 67-68 FRONT FENDER SPLASH SHIELD - REAR, LEFT SIDE	

Illustrated catalog \$2
add 70¢ for 1st class, free with order. Shows panel dimensions and drawings of many other panels and parts for rebuilding your special interest auto.



800-428-4319

Toll-free order desk except Indiana. Please have orders ready.

317-345-2131

Indiana orders & business office, information on existing orders, etc.

the paddock inc.

38 W. WARRICK ST. • DEPT. L
• P.O. BOX 8 • KNIGHTSTOWN, IN 46148 •

We will ship U.P.S., GOD, Cash, Money Order, or Certified Check. Prices subject to change. Freight additional. Indiana residents add 4% sales tax. 15% handling chg. for returns.

mustang parts!

We ship from our own warehouses with minimum back orders. You can count on our helping you get just what you want, no more, no less. Thanks in advance for your patronage.

THE PADDOCK, INC. • P.O. BOX 8 • 38 W. WARRICK ST. • KNIGHTSTOWN, IN 46148 • (317) 345-2131

<p>CHECK OUR PRICES!</p> 	<p>AUTO CUSTOM CARPET 64-70 Highest quality molded. 80/20 blend nylon loop. Complete set \$100.00. Fastback fold down area \$15.00.</p>	<p>1965-70 FACT BOOKS - \$4.95 ea.</p> 	<p>MUSTANG T-SHIRTS</p>  <p>Yellow with red design. S, M, L, XL \$4.95 + \$1.00 Postage</p>
<p>64-70 DOOR HANDLES</p> 	<p>INSTRUMENT BEZELS 1965-68 most styles.</p> 	<p>64-65 & 66 \$48.60</p> <p>1967 \$39.90</p> 	<p>AIR CLEANER</p> 
<p>SEAT UPHOLSTERY Complete set with buckets \$179.95, pony \$244.00. Front buckets only \$129.95 pr. Pony front buckets \$159.00/pr.</p> 	<p>GAS CAPS</p>  <p>FACTORY & REPRO</p>	<p>KNITWEAR EXCLUSIVES</p>  <p>PADDED DASH 1965-Black, blue or red-\$127.05 1966-Black, blue or burgundy-\$127.05 1969-Black-\$182.45 1970-Blue-\$182.45</p>	<p>PONY FLOOR MATS - \$45.00 SET</p> 
<p>1964-68 AVAILABLE</p> 	<p>STANDARD DOOR PANELS \$108.00 pr.; Pony exchange price \$165.00 pr.; Pony skins (do it yourself) \$150.00 pr.</p> 	<p>MANY FACTORY PARTS IN STOCK</p> 	<p>BUMPERS \$67.50</p> 
<p>LICENSE PLATES - \$4.00 ea.</p> 	<p>65-66 \$24.55</p> <p>1968 \$15.60</p> 	<p>PADDED SUN VISORS All original colors - \$39.90 pr.</p> 	
<p>65-68 KICK PANELS \$29.95 pr.</p> 	<p>OWNERS MANUALS (65-70) - \$6.00 ea.</p> 		

SHIPPING POLICY

FREE SHIPPING On UPS orders of \$200 or more, items too big for UPS must be shipped, merchandise prepaid, by truck with freight charges collect. All orders under \$200 will be shipped with minimum UPS shipping and packaging costs.

REMEMBER: We specialize in repeat business, you can count on us.