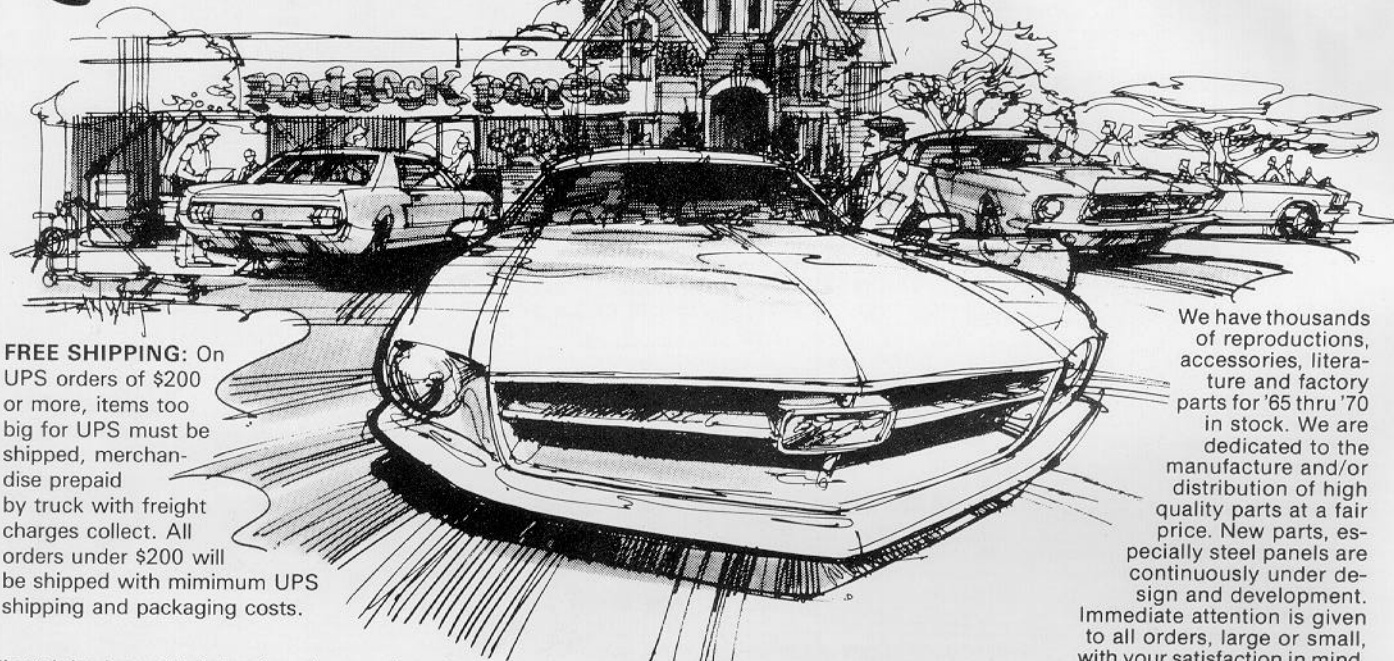


mustang panels!

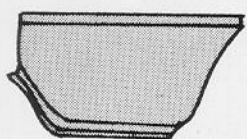
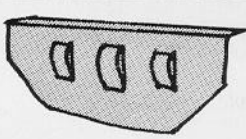
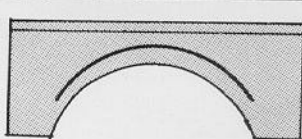
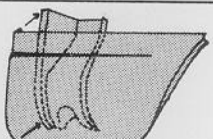
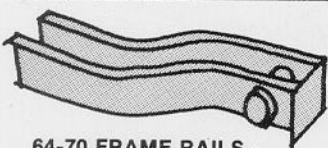
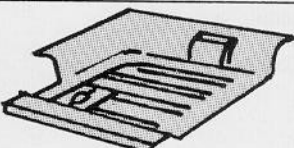
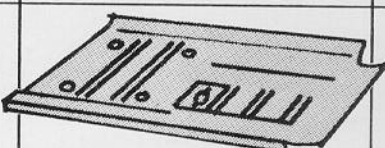

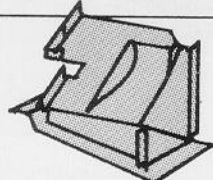
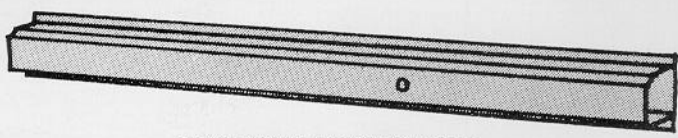
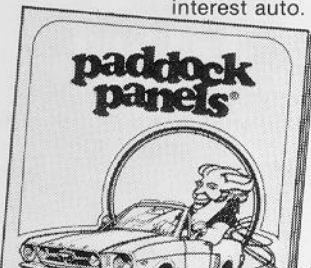

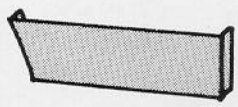
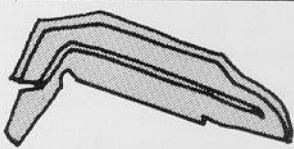
from the largest distributor
of high quality Mustang parts
in the midwest.



FREE SHIPPING: On UPS orders of \$200 or more, items too big for UPS must be shipped, merchandise prepaid by truck with freight charges collect. All orders under \$200 will be shipped with minimum UPS shipping and packaging costs.

We have thousands of reproductions, accessories, literature and factory parts for '65 thru '70 in stock. We are dedicated to the manufacture and/or distribution of high quality parts at a fair price. New parts, especially steel panels are continuously under design and development. Immediate attention is given to all orders, large or small, with your satisfaction in mind.

Shown below is a partial display of our sheet metal reproductions, and model years available.

			
64-70 LOWER REAR QUARTERS	64-70 INNER PANEL LOWER REAR CORNER	64-70 REAR WHEEL FLAIRS	64-68 LOWER REAR CORNER OF FRONT FENDER REPAIR
			
64-70 FRAME RAILS - FOR ALL MODELS	64-68 REAR FLOOR PANS	64-68 LONG FRONT FLOOR PANS	64-68 SHORT FRONT FLOOR PANS
			<p>Illustrated catalog \$2 add 70¢ for 1st class, free with order. Shows panel dimensions and drawings of many other panels and parts for rebuilding your special interest auto.</p> 
64-68 TORQUE BOX	64-68 INNER ROCKER PANEL - CONVERTIBLE		
			
64-66 OUTER WHEELHOUSE	64-66 LOWER PANEL IN FRONT OF REAR WHEEL	67-68 FRONT FENDER SPLASH SHIELD - REAR, LEFT SIDE	

800-428-4319
317-345-2131

Toll-free order desk except Indiana. Please have orders ready.

Indiana orders & business office, information on existing orders, etc.

the paddock inc.

38 W. WARRICK ST. • DEPT. L
• P.O. BOX 8 • KNIGHTSTOWN, IN 46148 •

We will ship U.P.S., COD, Cash, Money Order, or Certified Check. Prices subject to change. Freight additional. Indiana residents add 4% sales tax. 15% handling chg. for returns.