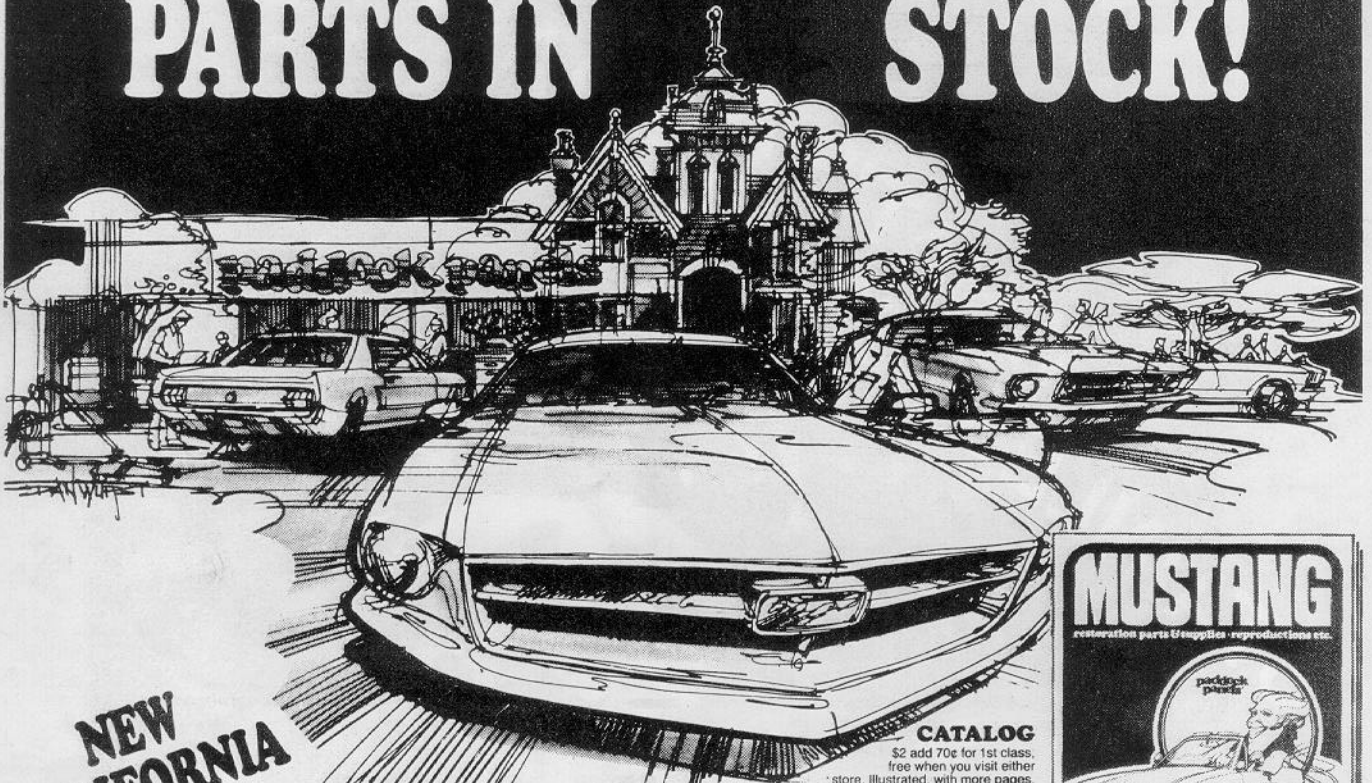


# THOUSANDS OF MUSTANG PARTS IN STOCK!



**NEW CALIFORNIA STORE!**  
(we're proud)

We're now shipping parts daily from three warehouses to better serve you. Our new west coast store will offer the same friendly service (John & Mike made the big move) and we're in close contact with all the best sources of parts and supplies for your special needs.

**THE BOTTOM LINE!** It all boils down to having what you want in stock, giving good service on your order, quick shipment, and a good return policy. We strive to be dependable with your money and needs for your car. Ask any one of our customers and then call us, we'll work hard at pleasing you.

**NEW REPRO!**

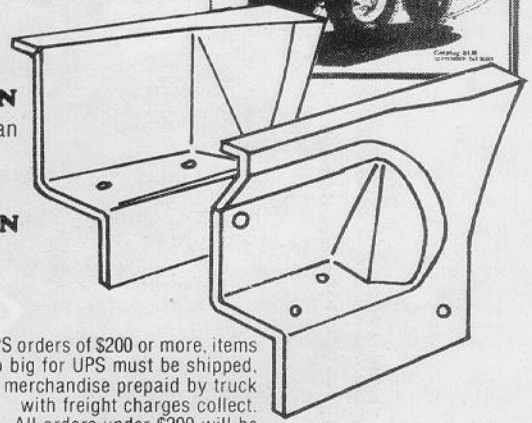
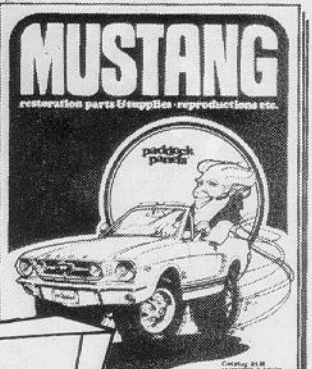
## 1967-68 FENDER APRON

Order now! Made of 19 ga. American steel with under plate welded in place. Introductory price **\$39**

## 1965-66 FENDER APRON

Die stamped from 19 ga. steel. Beautiful repro. Order now! Only **\$32**

**FREE SHIPPING!** On UPS orders of \$200 or more, items too big for UPS must be shipped, merchandise prepaid by truck with freight charges collect. All orders under \$200 will be shipped with minimum UPS shipping and packaging costs.

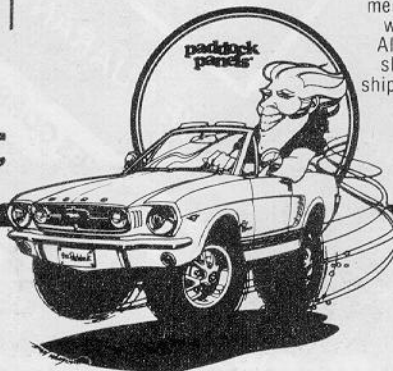


**paddock west**

446 TENNESSEE ST., DEPT. MT-1 REDLANDS, CA 92373

Call toll free except California, please have order ready. For information on orders and in-state orders, call (714) 798-4166 or 824-3490.

**800 854-8532**



**the paddock inc.**

38 W. WARRICK, DEPT. MT-1 P.O. BOX 30, KNIGHTSTOWN, IN 46148

Call toll free except Indiana, please have order ready. For information on orders and in-state orders, call (317) 345-2131.

**800 428-4319**

THE PADDOCK • RACING, RESTORING & MAKING REPRODUCTIONS FOR SPECIAL INTEREST CARS SINCE 1965!