

MUSTANGS unlimited inc.

21 Tolland Turnpike, Manchester, CT 06040
(203) 647-1965

MOLDED CARPET SETS - We offer you the finest molded carpet available for your restoration. 80/20 rayon/nylon loop, color-keyed toe and heel pad, original jute backing. The following colors in stock for immediate delivery: black, red, blue, maroon, light green, tobacco, dark green, turquoise, emberglo, saddle, gold, tan.

Coupe, Conv., Fastback \$100.00
Fold down section \$15.00

CONTOURED CARPET SETS - Our sewn carpet sets are of the same quality as our molded carpets and fit perfectly.

64-68 \$65.00
W/Fold Down \$87.00

MUSTANG FLOOR MATS - Original Ford Pony mats. Available in black, red, white, blue, green, tan and maroon.

Set of 4 \$45.00
Fronts, Only \$30.00

Mustang mat with running horse on red, white & blue stripe.

Set of 4 \$24.95
Fronts, Only \$14.95

SHELBY AND MUSTANG CAR COVERS
- Greyshield, 100% cotton perfect fit.

..... \$72.00

TRUNK MATS - Reproduction mats are felt backed. Choice of plaid or speckled design. Specify year & design.

65-70 \$19.50

Original Ford, N.O.S. \$27.00

SPARE TIRE COVER
Speckled or Plaid \$10.95

DOOR PANELS
1965-68 All original colors \$52.00 ea.
AUTHENTIC MUSTANG UPHOLSTERY

-All colors available in all models for 1965, 1966, 1967, 1968. Standard type seat upholstery.

Complete set \$179.95
W/Bench seat \$199.95

Upholstery for two bucket bucket seats \$129.95

Upholstery for one bucket seat \$67.95

PONY INTERIOR SEAT UPHOLSTERY

-1965-66. The most authentic reproduction of the pony interior is now available. Special attention has been given to the reproduction of the pony insert resulting in a duplication that matches the original in all details.

Upholstery for two bucket seats \$159.00

Upholstery for one bucket seat \$89.00

Complete upholstery for two buckets and back seat \$244.00

Quarter trim upholstery \$39.00 Per Set

MUSTANG HEADLINERS - All original colors available.

65-73 Moonskin \$35.95
Installation Kit \$2.50

REPRODUCTION KICK PANELS - Available in black, red, blue, white and parchment.

65-68 Coupe, Conv., 2+2 \$29.95

CONVERTIBLE TOPS - Our top quality tops are guaranteed for 3 years against defects in material or workmanship. Tops include plastic curtain and instructions. Available in black, white, blue or red.

..... \$92.00
Convertible Top Pads \$18.00

CONVERTIBLE WELL LINER - Fits in the area between rear seat and trunk. Available in black or white, perfect fit.

..... \$19.50

CONVERTIBLE TOP BOOTS - Exact reproduction of the original. Available for 1964-73 in white, black, ivy, gold, blue, red, palamino, light turquoise, parchment, dark red and light blue.

64-68 \$38.50
69-73 \$40.50

Storage bag for top boot \$4.95

Top boot studs, set of 17 \$8.00

Stud, retainers, set of 17 \$15.00

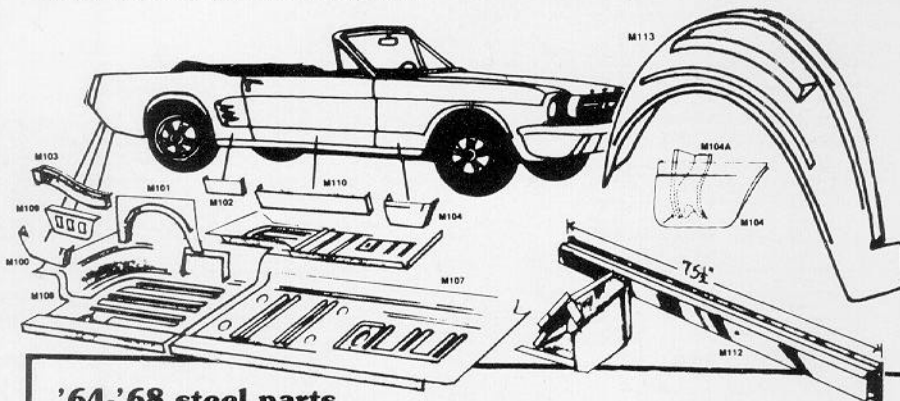
When Ordering: Add 10% For Shipping:
We have, or can get, virtually all Mustang parts and accessories available. We also have an enormous supply of obsolete goodies and used parts in stock. Call or write for specific needs. Look for us at Swap Meets throughout the year.

Mustang and Shelby Parts and Accessories

*Largest Inventory in the Northeast...
We have a lot of things you can't
get from Ford any more!*

TOLL FREE ORDER LINE
1-800-243-7278

Fast UPS Service



'64-'68 steel parts

M100 64-66 LOWER REAR CORNER \$25.00 ea. has original contour on back, bottom, and wheel opening. 7 1/2" high.

M100A 64-66 LOWER REAR QUARTER \$31.00 ea. has original contour on back, bottom and wheel opening. More than 12" high with offset along top edge.

M200 67-68 LOWER REAR QUARTER \$33.00 ea. has original contour on back, bottom and wheel opening. 13" high with offset.

M101 64-66 REAR WHEEL FLAIR \$33.00 ea. has original contour with 3/4" inner flange.

M201 67-68 REAR WHEEL FLAIR \$33.00 ea. same as early with top offset.

M102 64-66 LOWER PANEL IN FRONT OF REAR WHEEL \$11.00 ea. has lower portion of wheel opening with bottom and front edge included.

M103 64-70 REAR FRAME RAIL \$51.00 ea. has original contour, made from heavy 14 gauge steel with mig welded spring mount. 28" long. Specify right or left, body style.

M104 64-66 LOWER REAR CORNER OF FRONT FENDER \$25.00 ea. includes rear edge to form door opening, extends to 1 1/2" above horizontal body line. 1" high.

M104A 64-66 INNER STRUCTURE LOWER REAR CORNER OF FRONT FENDER \$18.00 ea. exact duplicate of inner structure.

M204 67-68 LOWER REAR CORNER OF FRONT FENDER \$26.00 ea. includes rear edge to form door opening 12" high.

M204A 67-68 INNER STRUCTURE LOWER REAR CORNER OF FRONT FENDER \$18.00 ea. exact duplicate of inner structure.

M106 64-68 SHORT FRONT FLOOR PAN \$44.00 ea. Section in front of seat, extends 4-5" up toward pedals.

M107 64-68 LONG FRONT FLOOR PAN \$49.00 ea. Section under and in front of front seat extends 4-5" up toward pedals.

M108 64-70 REAR FLOOR PAN \$49.00 ea. Section extends behind front seat 21". Original contour extends under lip of rear seat, also extends above seat belt hole on tunnel.

ON FLOORS seat holes and cleanout holes are stamped out completely, like originals.

M111 64-70 DRAIN HOLE COVERLET \$3.25 ea. or \$11.00 set of 4 galvanized, die stamped like original.

M109 64-68 INNER PANEL LOWER REAR CORNER \$21.00 ea. has original ribs, also breaks 1" over on trunk floor.

M110 64-66 LOWER DOOR SKIN \$30.00 ea. wraps around front, back & bottom edges. Has original contour 7 1/2" high.

M112 64-68 INNER ROCKER PANEL \$61.00 ea. conv. renews structural strength of convertible.

Factory 64-70 INNER WHEELHOUSE \$48.00.

M113 64-66 OUTER WHEELHOUSE \$59.00 ea. die stamped in our shops, highest quality.

Factory 67-68 OUTER WHEELHOUSE \$48.00 ea.

M114 64-68 TORQUE BOX \$65.00 ea. conv., die stamped 14 gauge steel.

69-70 FASTBACK OR CONVERTIBLE QUARTER PANELS \$199.00 ea. Specify model.

64-68 REPRODUCTION QUARTER PANELS \$70.00 ea.
M300 69-70 LOWER REAR CORNER \$33.00 ea. Specify Fastback or Conv.