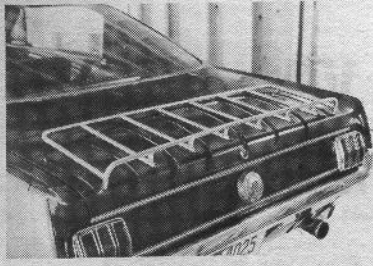
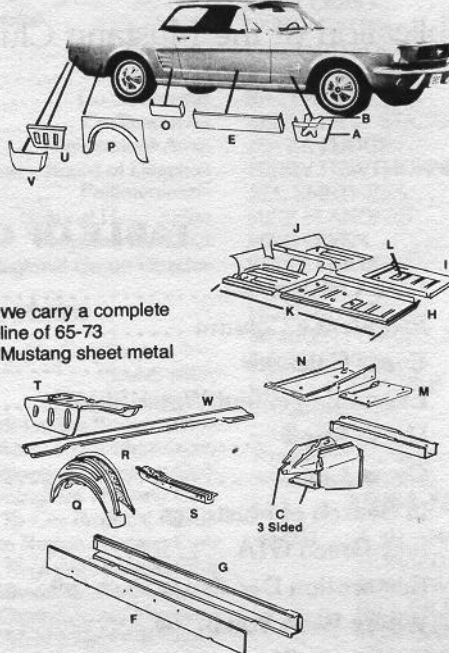


### ACCESSORIES



FREE 1984 CATALOG

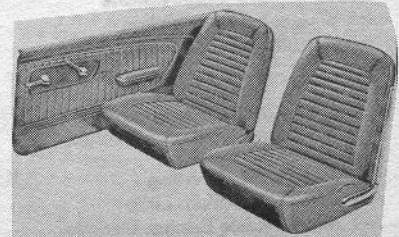
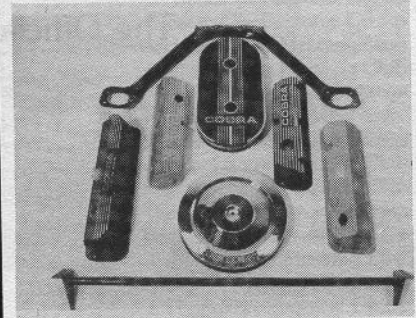
### EXTERIOR PARTS



We carry a complete line of 65-73 Mustang sheet metal

<sup>1</sup> Due to the difficulty involved with their installation, long front or full side floors are not recommended for use in convertibles.  
See Remainder of Exterior section for additional body panel listings.

### MECHANICAL PARTS



### INTERIOR PARTS

The Most Experienced Mustang Restorer in The United States

# Glazier's Mustang Barn

INC.

531 Wambold Rd., Souderton, PA 18964 — Open 9-5 Mon.-Fri.; 9-4 Sat. (Parts Only)

(800) 523-6708

(215) 723-9674

(215) 723-3722

PARTS: Cont. USA Exc. PA

PARTS: All other locations

Service Department

#### New Products and Special Prices

#### Accessories Poster

20 years of Mustangs new \$6.00 ppd.

#### Car Covers

0158 1965-68 Cpe. or Cvt. <sup>1</sup> . . . . .	Special \$120.00
0159 1965-68 FB, 69-70 all <sup>1</sup> . . . . .	Special 120.00
0160 1965-68 Cpe. or Cvt. <sup>2</sup> . . . . .	Special 100.00
0161 1965-68 FB, 69-70 all <sup>2</sup> . . . . .	Special 100.00
0162 1971-73 <sup>1</sup> . . . . .	Special 120.00
0163 1971-73 <sup>2</sup> . . . . .	Special 100.00
0165 Storage bag for covers listed above . . . . .	5.00

<sup>1</sup> Superior water repellent technalon fabric Recommended for cars kept outside

<sup>2</sup> Water repellent tan flannel Recommended for cars kept inside

Also available Green Drill loose fit car covers . . . . . Special 80.00

#### Exterior Parts

Grill Horse and Corral	
0521 1966 std. . . . .	Special 40.00

#### Hood Tachometer

0968 69-71 . . . . .	New 90.00
----------------------	-----------

#### Torque Box (3 sided)

1224 68-70 RH Cpe. or FB . . . . .	New 60.00
1225 67-70 LH Cpe. or FB . . . . .	New 60.00

#### Rear "Under" Seat Panel

1266 65-68 RH . . . . .	New 45.00
1267 65-68 LH . . . . .	New 45.00

#### Quarter Repair Panel (wheel flare to door)

1594 65-66 RH . . . . .	New 55.00
1595 65-66 LH . . . . .	New 55.00
1596 69-70 RH . . . . .	80.00
1597 69-70 LH . . . . .	80.00
1598 71-73 RH . . . . .	80.00
1599 71-73 LH . . . . .	80.00

#### Lower Rear Quarter

1663 71-73 RH (12") . . . . .	New 40.00
1664 71-73 LH (12") . . . . .	New 40.00

#### Gas Cap

1903 67 (exc. GT) . . . . .	New 40.00
-----------------------------	-----------

#### Window Weatherstrip Kit

2610 65-66 FB, RH and LH, door, outside and inside (4 pcs.) . . . . .	New 30.00
2611 65-66 Cpe. or Cvt., RH and LH, door and quarter, outside and inside (8 pcs.) . . . . .	New 40.00
2612 67-68 Cpe., RH and LH, door and quarter, outside and inside (8 pcs.) . . . . .	New 40.00
2613 67-68 Cvt., RH and LH, door and quarter, outside and inside (8 pcs.) . . . . .	New 40.00
2614 67-68 FB, RH and LH, door, outside and inside (4 pcs.) . . . . .	New 30.00

#### Rear Window Weatherstrip

2707 67-68 FB . . . . .	100.00
2708 69-70 FB . . . . .	Special 55.00

#### Interior Parts

Dash Pad	
65 or 66 Black, Blue . . . . .	Special 145.00
65 or 66 Other colors (dyed) . . . . .	Special 160.00

#### Headliner

3076 65 Cpe., Med. Blue . . . . .	New 35.00
3077 65 FB, Med. Blue . . . . .	New 35.00
3080 67-68 Cpe., Med. Aqua . . . . .	New 35.00
3081 67-68 FB, Med. Aqua . . . . .	New 35.00

#### Sunvisor Bracket (pr.)

3119 67 Cvt., RH and LH (incl. pivots) . . . . .	80.00
--	-------

#### Heater/Defroster Air Chamber

3231 65-69 (exc. 69 w/AC), plastic . . . . .	New 40.00
--	-----------

#### Heater Seal Kit

3238 65-66 . . . . .	New 12.50
3239 67-68 . . . . .	New 12.50

#### AM/FM Stereo Radio and Cassette Player

3440 65-66 aftermarket . . . . .	Special 140.00
----------------------------------	----------------

#### Gear Shift Knob

3505 65-67, Manual, 3-speed . . . . .	New 30.00
3507 68-69, Manual, 4-speed . . . . .	New 30.00

#### Shift Boot Retainer M/T

3567 Late 65-68 . . . . .	New 15.00
---------------------------	-----------

#### Door Courtesy Light Wire Harness

3971 65-66 w/Pony int. & door speakers, RH or LH . . . . .	New 33.00
--	-----------

#### Arm Rest Base

4075 65-66 RH or LH w/std. interior <sup>1</sup> . . . . .	Special 12.00
--	---------------

#### Pony Door Panel Assembly (pr.)

65 or 66 all colors . . . . .	Special 140.00
<sup>1</sup> Not incl. moldings or cups	

#### Top Boot

5381 67 saddle . . . . .	42.00
--------------------------	-------

#### Top Boot Storage Bag

5384 Black . . . . .	5.00
5385 White . . . . .	5.00

#### Cvt. Top Tacking Strips (3 pc. set) rpl.

5435 65-68 . . . . .	New 115.00
----------------------	------------

#### Trunk Mat

5502 65-66 Cpe. or Cvt., plaid (matches available tire cover) . . . . .	20.00
5503 65-66 FB, plaid (matches available tire cover) . . . . .	20.00
5514 67-68 Cpe. or Cvt., speckle, rubber . . . . .	30.00

#### Mechanical/Operational Parts

<b>Styled Steel Wheels</b>	
6023 Magnum 500 14" x 7" . . . . .	Special 90.00
6024 Magnum 500 15" x 7" . . . . .	Special 90.00

#### Tri-Y Headers

6400 65-66 GT-350 (will fit 289 or 302) (incl. attaching hdwe.) . . . . .	Special 150.00
---	----------------

#### Tailpipe Extension Dual Exhaust

6460 65-66 GT RH w/289 . . . . .	Special 50.00
6461 65-66 GT LH w/289 . . . . .	Special 50.00

#### Battery Post Rubber Shield

6724 65-66 (mounts on fender apron) . . . . .	New 2.00
---	----------

#### Firewall To Engine Ground Wire

6880 65-67 . . . . .	New 5.00
----------------------	----------

## 1965-1973 MUSTANG PARTS AND SERVICE

Shipping costs are extra. Prices and availability are subject to change. MC-VISA-COD.