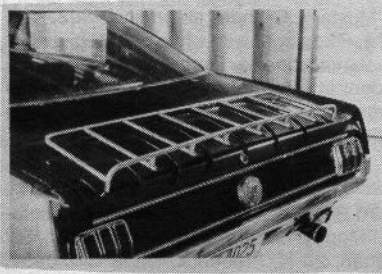
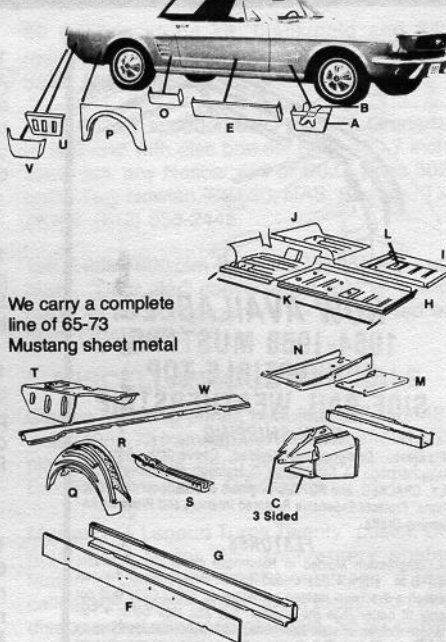


ACCESSORIES



FREE 1984 CATALOG

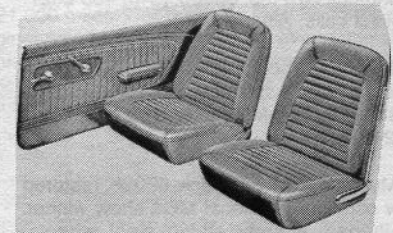
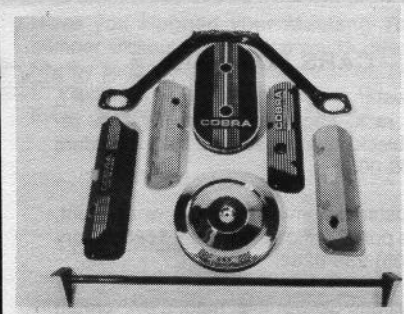
EXTERIOR PARTS



We carry a complete line of 65-73 Mustang sheet metal

¹ Due to the difficulty involved with their installation, long front or full side floors are not recommended for use in convertibles.
See Remainder of Exterior section for additional body panel listings.

MECHANICAL PARTS



INTERIOR PARTS

The Most Experienced Mustang Restorer in The United States

Glazier's Mustang Barn

INC.

531 Wambold Rd., Souderton, PA 18964 — Open 9-5 Mon.-Fri.; 9-4 Sat. (Parts Only)

(800) 523-6708

(215) 723-9674

(215) 723-3722

(800) 523-FORD

PARTS: Cont. USA Exc. PA

PARTS: All other locations

Service Department

(PA area only)

New Products and Special Prices

Accessories
Poster

20 years of Mustangs new \$6.00 ppd.

Car Covers

- 0158 1965-68 Cpe. or Cvt.¹ . . . Special \$120.00
- 0159 1965-68 FB, 69-70 all¹ . . . Special 120.00
- 0160 1965-68 Cpe. or Cvt.² . . . Special 100.00
- 0161 1965-68 FB, 69-70 all² . . . Special 100.00
- 0162 1971-73¹ . . . Special 120.00
- 0163 1971-73² . . . Special 100.00
- 0165 Storage bag for covers listed above 5.00

¹Superior water repellent technalon fabric Recommended for cars kept outside

²Water repellent tan flannel Recommended for cars kept inside

Also available Green Drill loose fit car covers Special 80.00

Exterior Parts

- Grill Horse and Corral
- 0521 1966 std. Special 40.00

Hood Tachometer

- 0968 69-71 New 90.00

Torque Box (3 sided)

- 1224 68-70 RH Cpe. or FB New 60.00
- 1225 67-70 LH Cpe. or FB New 60.00

Rear "Under" Seat Panel

- 1266 65-68 RH New 45.00
- 1267 65-68 LH New 45.00

Quarter Repair Panel (wheel flare to door)

- 1594 65-66 RH New 55.00
- 1595 65-66 LH New 55.00
- 1596 69-70 RH 80.00
- 1597 69-70 LH 80.00
- 1598 71-73 RH 80.00
- 1599 71-73 LH 80.00

Lower Rear Quarter

- 1663 71-73 RH (12") New 40.00
- 1664 71-73 LH (12") New 40.00

Gas Cap

- 1903 67 (exc. GT) New 40.00

Window Weatherstrip Kit

- 2610 65-66 FB, RH and LH, door, outside and inside (4 pcs.) New 30.00
- 2611 65-66 Cpe. or Cvt., RH and LH, door and quarter, outside and inside (8 pcs.) New 40.00
- 2612 67-68 Cpe., RH and LH, door and quarter, outside and inside (8 pcs.) New 40.00
- 2613 67-68 Cvt., RH and LH, door and quarter, outside and inside (8 pcs.) New 40.00
- 2614 67-68 FB, RH and LH, door, outside and inside (4 pcs.) New 30.00

Rear Window Weatherstrip

- 2707 67-68 FB 100.00
- 2708 69-70 FB Special 55.00

Interior Parts

- Dash Pad
- 65 or 66 Black, Blue Special 145.00
- 65 or 66 Other colors (dyed) Special 160.00

Headliner

- 3076 65 Cpe., Med. Blue New 35.00
- 3077 65 FB, Med. Blue New 35.00
- 3080 67-68 Cpe., Med. Aqua New 35.00
- 3081 67-68 FB, Med. Aqua New 35.00

Sunvisor Bracket (pr.)

- 3119 67 Cvt., RH and LH (incl. pivots) 80.00

Heater/Defroster Air Chamber

- 3231 65-69 (exc. 69 w/AC), plastic New 40.00

Heater Seal Kit

- 3238 65-66 New 12.50
- 3239 67-68 New 12.50

AM/FM Stereo Radio and Cassette Player

- 3440 65-66 aftermarket Special 140.00

Gear Shift Knob

- 3505 65-67, Manual, 3-speed New 30.00
- 3507 68-69, Manual, 4-speed New 30.00

Shift Boot Retainer M/T

- 3567 Late 65-68 New 15.00

Door Courtesy Light Wire Harness

- 3971 65-66 w/Pony int. & door speakers, RH or LH New 33.00

Arm Rest Base

- 4075 65-66 RH or LH w/std. interior¹ Special 12.00

Pony Door Panel Assembly (pr.)

- 65 or 66 all colors Special 140.00

¹Not incl. moldings or cups

Top Boot

- 5381 67 saddle 42.00

Top Boot Storage Bag

- 5384 Black 5.00
- 5385 White 5.00

Cvt. Top Tacking Strips (3 pc. set) rpl.

- 5435 65-68 New 115.00

Trunk Mat

- 5502 65-66 Cpe. or Cvt., plaid (matches available tire cover) 20.00
- 5503 65-66 FB, plaid (matches available tire cover) 20.00
- 5514 67-68 Cpe. or Cvt., speckle, rubber 30.00

Mechanical/Operational Parts

- Styled Steel Wheels**
- 6023 Magnum 500 14" x 7" Special 90.00
- 6024 Magnum 500 15" x 7" Special 90.00

Tri-Y Headers

- 6400 65-66 GT-350 (will fit 289 or 302) (incl. attaching hdwe.) Special 150.00

Tailpipe Extension Dual Exhaust

- 6460 65-66 GT RH w/289 Special 50.00
- 6461 65-66 GT LH w/289 Special 50.00

Battery Post Rubber Shield

- 6724 65-66 (mounts on fender apron) New 2.00

Firewall To Engine Ground Wire

- 6880 65-67 New 5.00

1965-1973 MUSTANG PARTS AND SERVICE

Shipping costs are extra. Prices and availability are subject to change. MC-VISA-COD.