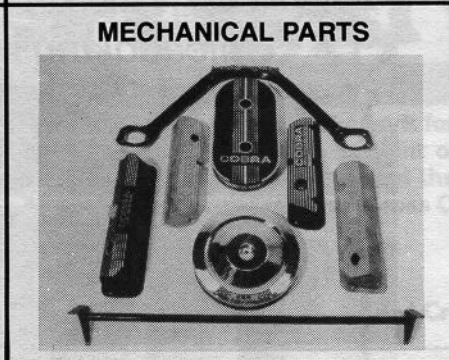
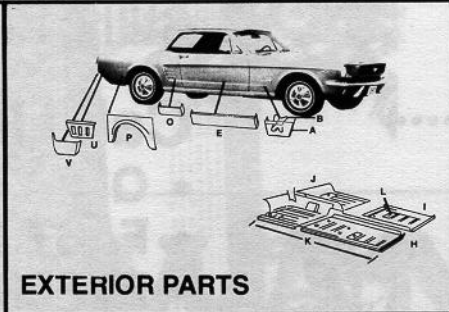


Glazier's Mustang Barn



1965-73 MUSTANG PARTS AND SERVICE

Parts Desk (215) 723-9674
 Service Desk (215) 723-3722
 Open 9-5 Mon.-Fri. (9-1 Sat., Parts Only)
 531 Wambold Rd., Souderton, PA 18964



1965/66 MUSTANG AM-FM CASSETTE STEREOS

Enjoy contemporary features without major dash modifications required.

Model MAX-1 \$90.00	Model AV-1 \$130.00	Model MAX-2 \$150.00
Slide rule tuning — Tone control Balance Lock F-forward — — 6 watts/channel	Slide rule tuning Push-button tuning Tone control Balance/fader Lock F-forward — — 5 watts/channel	Slide rule tuning — Tone controls Balance/fader Lock F-forward/rewind Auto-reverse Program skip 6 watts/channel

NOW AVAILABLE SHEET METAL FIREWALL REPAIR PANEL

65/66 (67/68 rpl.) RH \$40.00
 65/68 LH \$40.00

SEAT INTERIOR PEDESTAL

65/68 Cpe. or FB RH \$65.00
 65/68 Cpe. or FB LH \$65.00

INNER REAR QUARTER

71/73 RH \$20.00
 71/73 LH \$20.00

ATTENTION FALCON OWNERS

1963/67 FALCON CONVERTIBLE INNER ROCKER ASSEMBLIES \$99.00/side, intro. price.
We're taking orders now!

1969/70 MUSTANG CONVERTIBLE INNER ROCKER ASSEMBLIES \$90.00/side, limited supply.
Exclusive distributor.

PROTECT YOUR INVESTMENT with a Covercraft Car Cover available For Mustangs, Fords, Mercurys, etc. *New or Older Models!*

READY-FIT: green, water repellent, polyester/cotton. Available in six sizes.
 CUSTOM-FIT: available either in tan flannel for sheltered cars, or synthetic technalon for outdoor cars requiring more protection. (Allow 2-3 weeks delivery). From \$100.00 for technalon, \$110.00 for tan flannel.

Exact prices vary with size, model, material chosen.

CALL TODAY FOR YOUR FREE COPY OF OUR WINTER '85 SALE FLIER.

Shipping charges are extra. Price and availability subject to change.